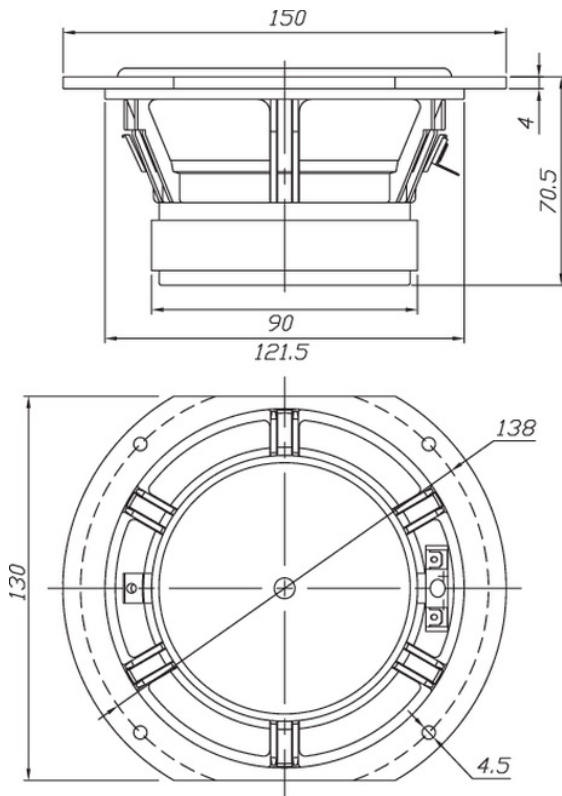




# RS150T-8 6" Reference Woofer Truncated Frame 8 Ohm

RS150T-8



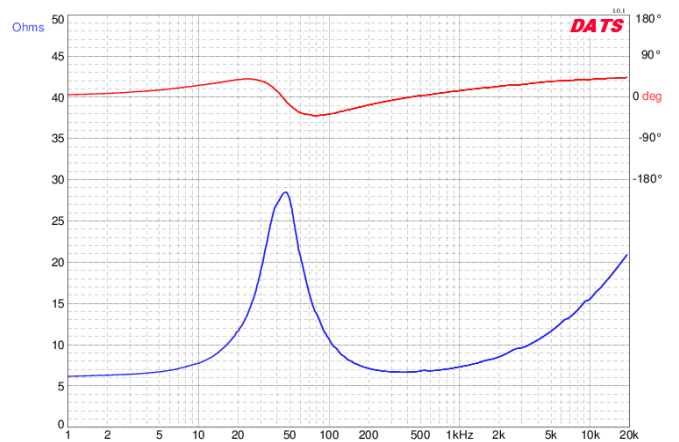
## PARAMETERS

Impedance	8 ohms
Re	6.2 ohms
Le	0.61 mH @ 1 kHz
Fs	46.4 Hz
Qms	1.67
Qes	0.47
Qts	0.37
Mms	8.3g
Cms	1.42 mm/N
Sd	85 cm <sup>2</sup>
Vd	34.0 cm <sup>3</sup>
BL	5.7 Tm
Vas	14.4 liters
Xmax	4.0 mm
VC Diameter	25 mm
SPL	87.9 dB @ 2.83V/1m
RMS Power Handling	40 watts
Usable Frequency Range (Hz)	47 - 4,200 Hz

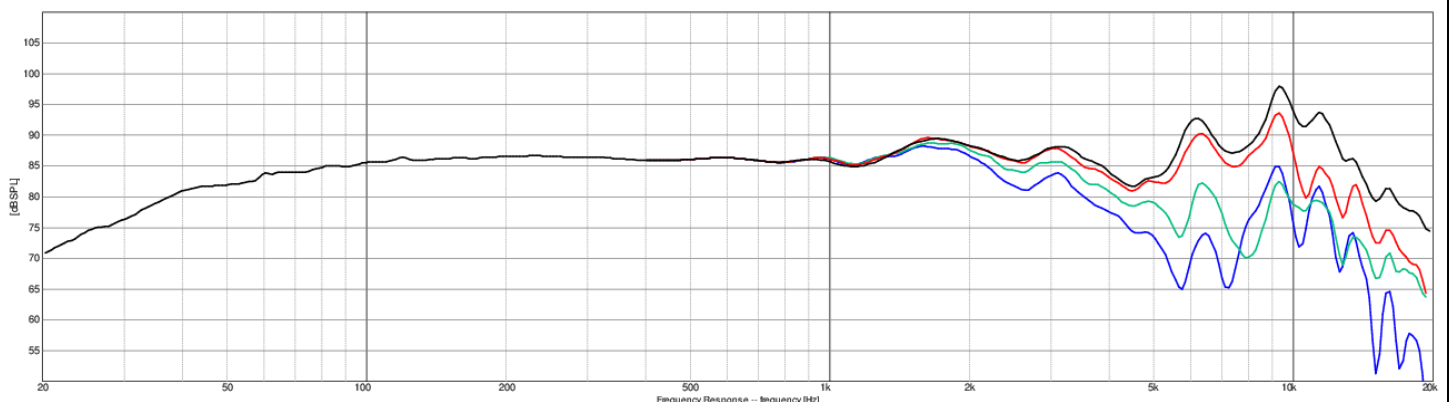
## FEATURES

- Truncated cast frame - great for line arrays and MTM speaker designs
- Long-excursion motor and suspension for strong bass performance
- Advanced low-distortion motor design
- Lightweight black anodized aluminum cone

## IMPEDANCE/PHASE



## FREQUENCY RESPONSE



Note: 1/24<sup>th</sup> octave smoothing - nearfield response included in graph below 450 Hz.

Black = 0°  
Red = 15°  
Green = 30°  
Blue = 45°