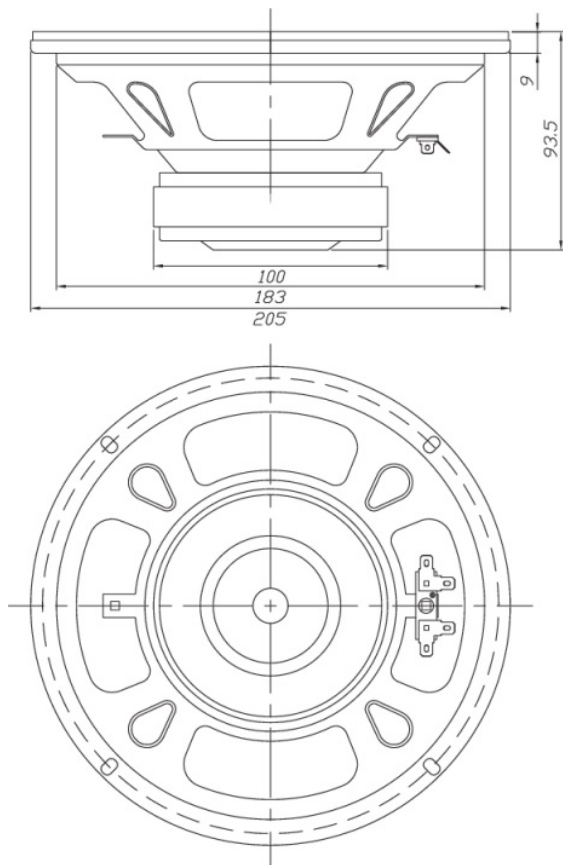




DC200-8 8" Classic Woofer 8 Ohm

DC200-8



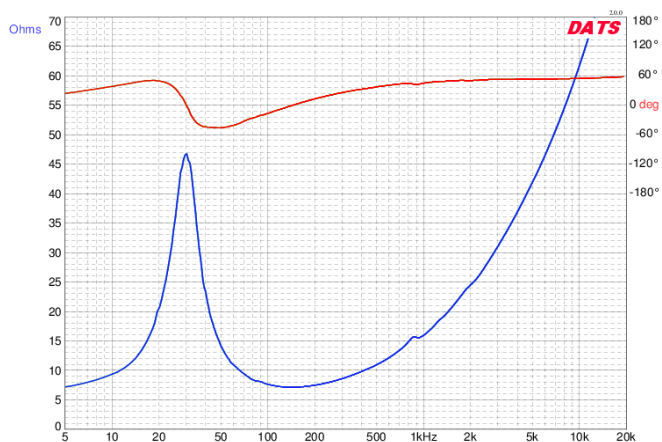
PARAMETERS

Impedance	8 ohms
Re	6.41 ohms
Le	2.32 mH @ 1 kHz
Fs	30.3 Hz
Qms	3.06
Qes	0.49
Qts	0.42
Mms	36.1g
Cms	0.77 mm/N
Sd	211.2 cm ²
Vd	95.1 cm ³
BL	9.5 Tm
Vas	45.7 liters
Xmax	4.5 mm
VC Diameter	35 mm
SPL	87 dB @ 2.83V/1m
RMS Power Handling	60 watts
Usable Frequency Range (Hz)	29 - 3,000 Hz

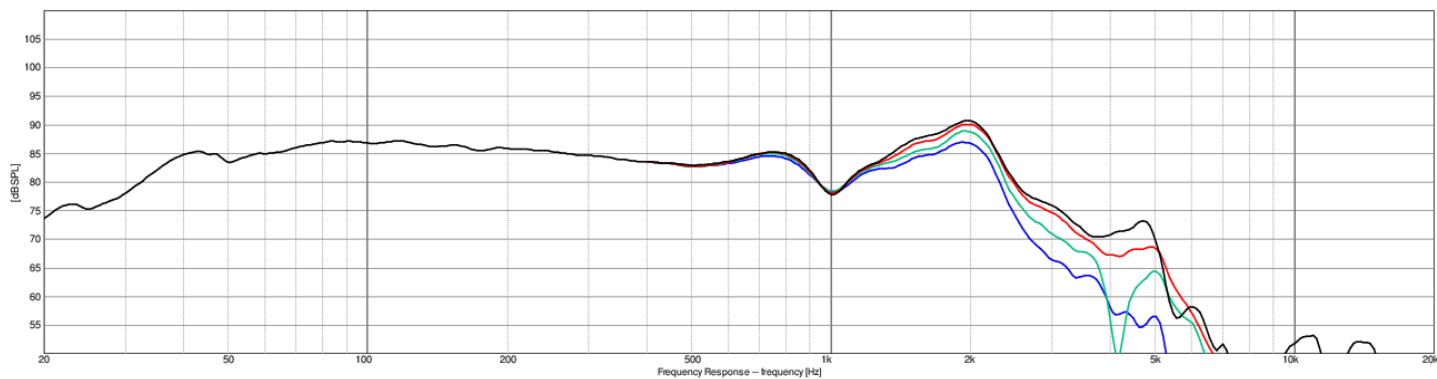
FEATURES

- Great price/performance ratio
- Treated non-pressed paper cone with rubber surround
- Vented pole piece for better power handling
- Clean, balanced sound quality

IMPEDANCE/PHASE



FREQUENCY RESPONSE



Note: 1/12th octave smoothing - nearfield response included in graph below 450 Hz.

Black = 0°
Red = 15°
Green = 30°
Blue = 45°