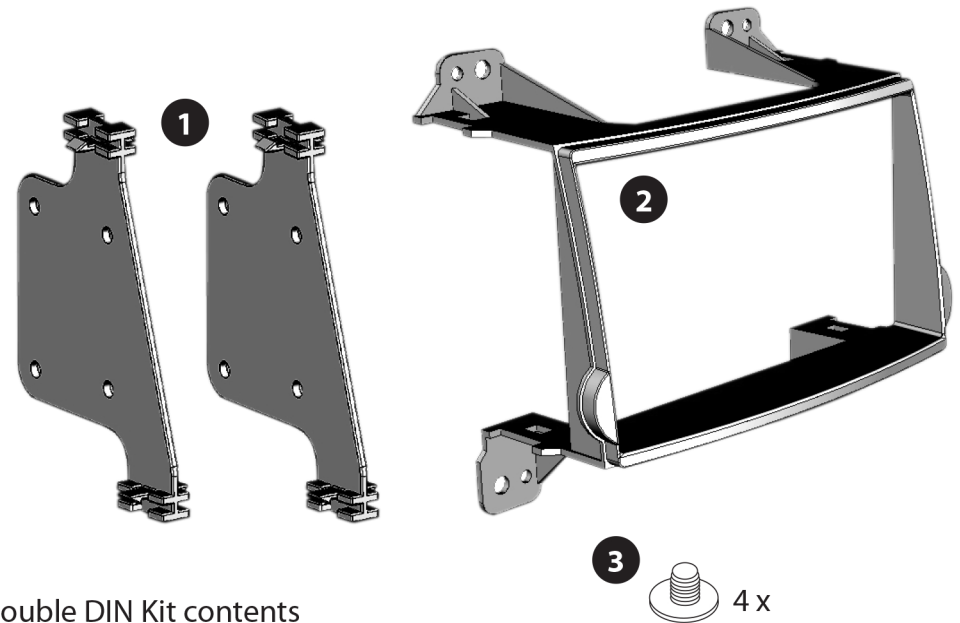




• **Hyundai H1 2007 >**

Compatible with double DIN devices



Double DIN Kit contents

- (1) Mounting Brackets
- (2) Facia Plate

- (3) Fixing Screws

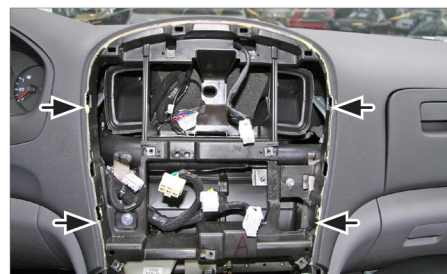
Installation Manual Double DIN Kit



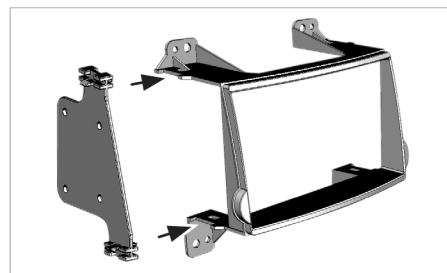
1. Hyundai H-1 dashboard



2. Unclip the gear lever box

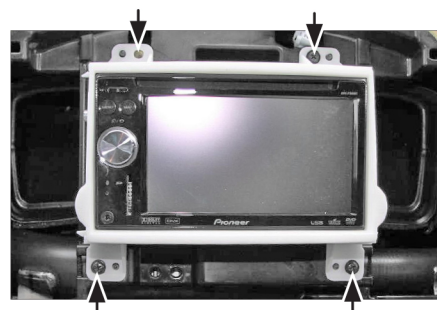


3. Unclip the front panel and remove it



4. Attach the mounting brackets to the fascia plate (see arrows)

Push the Pioneer Navigation into the fascia plate and fix it with screws at both sides



5. Place the Pioneer Navigation with the fascia plate at the dashboard

Connect all required circuit points

Fix the fascia plate to the dashboard with four screws



6. Place the OEM front panel

Reinstall everything in reverse order to finish installation.