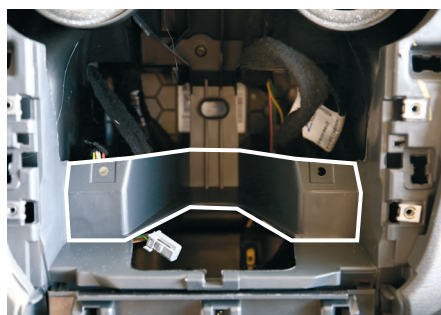
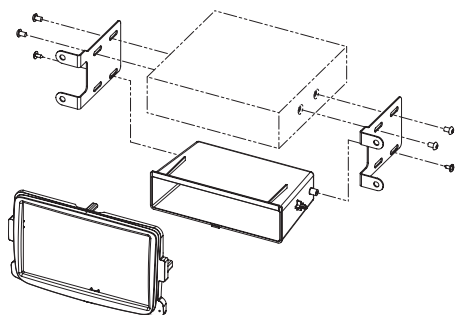


7a. 1-DIN install

Attach mounting brackets and pocket to 1-DIN head unit

We recommend a distance about 9 mm to the pocket front surface



8. If necessary cut plastic in order to clear space for 2-DIN head unit



9. Connect all required circuit points

Place fascia plate over head unit.

Reinstall everything in reverse
Order to finish installation



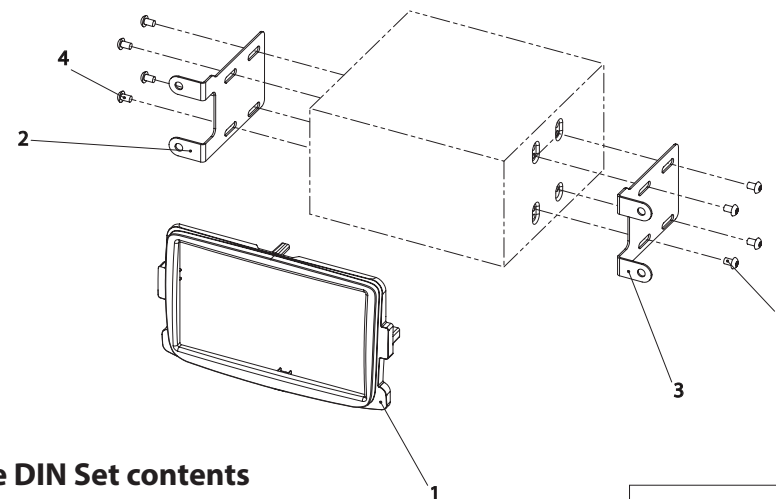
Facia Plate	colour	part-no.:
2-DIN	black	381250-14-1
2-DIN with pocket	black	281250-14-1
2-DIN	piano black	381250-14-2
2-DIN with pocket	piano black	281250-14-2

Dacia Dokker (SD) 12/2012 ->
 Dacia Dokker Stepway (SD) 11/2014 ->
 Dacia Duster (SD/SR Facelift) 11/2013 ->
 Dacia Lodgy (SD) 06/2012 ->
 Dacia Lodgy Stepway (SD) 11/2014 ->
 Dacia Logan MCV (SD) 07/2013 ->
 Dacia Sandero / Sandero Stepway (SD) 01/2013 ->

Opel Vivaro (X82)* 08/2014 ->
 *(only with CD 18 BT USB / Navi 50 MEDIA-NAV)

Renault Trafic (E82/F82)* 09/2014->
 *(only with CD Connect R&GO / Navi MEDIA-NAV)

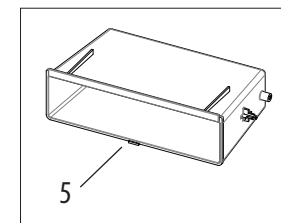
Compatible with Double-DIN devices:



Double DIN Set contents

- (1) fascia plate
- (2) mounting bracket (right)
- (3) mounting bracket (left)
- (4) flat headed screw

- (5) pocket
281250-14-x only!



Installation Manual Double DIN Kit



1. Dacia OEM dash board (sample photo)



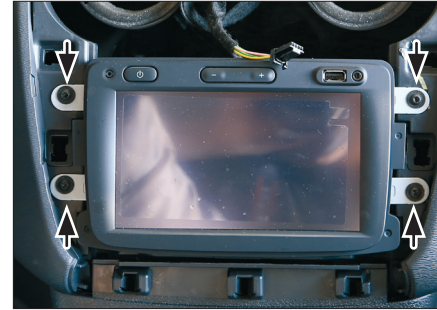
2. Unclip OEM panel (see arrows)



3. Remove OEM panel



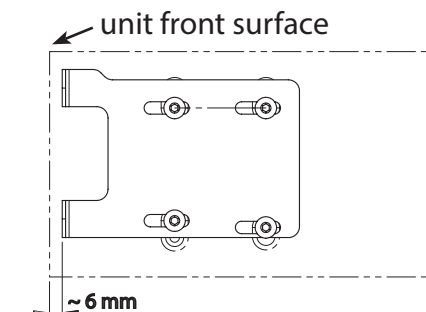
4. Unplug cables carefully



5. Remove 4 screws of OEM head unit (see arrows)



6. Remove OEM head unit (unplug all cables and connectors carefully)



7. **2-DIN install**

Attach mounting brackets to 2-DIN head unit

We recommend a distance about 6 mm to the unit front surface

