

CMOS-740HD

UNIVERSAL REAR VIEW CAMERA

INSTRUCTION MANUAL

CAMÉRA DE VUE ARRIÈRE UNIVERSELLE

MANUEL D'UTILISATION

UNIVERSAL RÜCKFAHRKAMERA

BEDIENUNGSANLEITUNG

UNIVERSELE ACHTERUITRIJCAMERA

GEbruIKSAANWIJZING

TELECAMERA PER RETROMARCIA UNIVERSALE

ISTRUZIONI PER L'USO

CÁMARA DE VISTA TRASERA UNIVERSAL

MANUAL DE INSTRUCCIONES

CÂMARA TRASEIRA UNIVERSAL

MANUAL DE INSTRUÇÕES

通用后视镜摄像头

使用说明书

JVCKENWOOD Corporation

Take the time to read through this instruction manual.

Familiarity with installation and operation procedures will help you obtain the best performance from your new Camera.

For your records

Record the serial number, found on the back of the unit, in the spaces designated on the warranty card, and in the space provided below. Refer to the model and serial numbers whenever you call upon your KENWOOD dealer for information or service on the product.

Model CMOS-740HD Serial number _____

US Residence Only

Register Online

Register your KENWOOD product at www.kenwood.com/usa/

For U.S.A

FCC CAUTION

Changes or modifications not expressly approved by the party responsible for compliance could void the user's authority to operate the equipment.

NOTE

- This equipment has been tested and found to comply with the limits for a Class B digital device, pursuant to part 15 of the FCC Rules. These limits are designed to provide reasonable protection against harmful interference in a residential installation.
- This equipment generates, uses and can radiate radio frequency energy and, if not installed and used in accordance with the instructions, may cause harmful interference to radio communications. However, there is no guarantee that interference will not occur in a particular installation. If this equipment does cause harmful interference to radio or television reception, which can be determined by turning the equipment off and on, the user is encouraged to try to correct the interference by one or more of the following measures:
 - Reorient or relocate the receiving antenna.
 - Increase the separation between the equipment and receiver.
 - Connect the equipment into an outlet on a circuit different from that to which the receiver is connected.
 - Consult the dealer or an experienced radio/TV technician for help.

Supplier's Declaration of Conformity

Trade Name: KENWOOD
Products: UNIVERSAL REAR VIEW CAMERA
Model Name: CMOS-740HD
Responsible Party: JVKENWOOD USA CORPORATION
2201 East Dominguez Street,
Long Beach, CA 90810, U.S.A.
PHONE: 310 639-9000

THIS DEVICE COMPLIES WITH PART 15 OF THE FCC RULES. OPERATION IS SUBJECT TO THE FOLLOWING TWO CONDITIONS:

- (1) THIS DEVICE MAY NOT CAUSE HARMFUL INTERFERENCE, AND
- (2) THIS DEVICE MUST ACCEPT ANY INTERFERENCE RECEIVED, INCLUDING INTERFERENCE THAT MAY CAUSE UNDESIRED OPERATION.

For Canada

CAN ICES-3(B)/NMB-3(B)

For Australia



For Argentina

Información acerca de la eliminación de equipos eléctricos y electrónicos al final de la vida útil (aplicable a los países que hayan adoptado sistemas independientes de recogida de residuos)



Los productos con el símbolo de un contenedor con ruedas tachado no podrán ser desechados como residuos domésticos.

Los equipos eléctricos y electrónicos al final de la vida útil, deberán ser reciclados en instalaciones que puedan dar el tratamiento adecuado a estos productos y a sus subproductos residuales correspondientes. Póngase en contacto con su administración local para obtener información sobre el punto de recogida más cercano. Un tratamiento correcto del reciclaje y la eliminación de residuos ayuda a conservar los recursos y evita al mismo tiempo efectos perjudiciales en la salud y el medio ambiente.



Declaration of Conformity with regard to the EMC Directive 2014/30/UE

Declaration of Conformity with regard to the RoHS Directive 2011/65/EU

Manufacturer:

JVCKENWOOD Corporation
3-12, Moriyacho, Kanagawa-ku, Yokohama-shi, Kanagawa
221-0022, JAPAN

EU Representative:

JVCKENWOOD Europe B.V.
Amsterdamseweg 37, 1422 AC UITHOORN, THE
NETHERLANDS

Déclaration de conformité se rapportant à la directive EMC 2014/30/UE

Déclaration de conformité se rapportant à la directive RoHS 2011/65/UE

Fabricant:

JVCKENWOOD Corporation
3-12, Moriyacho, Kanagawa-ku, Yokohama-shi, Kanagawa
221-0022, JAPON

Représentant dans l'UE :

JVCKENWOOD Europe B.V.
Amsterdamseweg 37, 1422 AC UITHOORN, PAYS-BAS

Konformitätserklärung in Bezug auf die EMV-Richtlinie 2014/30/UE

Konformitätserklärung in Bezug auf die RoHS-Richtlinie 2011/65/UE

Hersteller:

JVCKENWOOD Corporation
3-12, Moriyacho, Kanagawa-ku, Yokohama-shi, Kanagawa
221-0022, JAPAN

EU-Vertreter:

JVCKENWOOD Europe B.V.
Amsterdamseweg 37, 1422 AC UITHOORN, NIEDERLANDE

Conformiteitsverklaring met betrekking tot EMC-richtlijn 2014/30/EU

Conformiteitsverklaring met betrekking tot RoHS-richtlijn 2011/65/EU

Fabrikant:

JVCKENWOOD Corporation
3-12, Moriyacho, Kanagawa-ku, Yokohama-shi, Kanagawa
221-0022, JAPAN

EU-vertegenwoordiger:

JVCKENWOOD Europa B.V.
Amsterdamseweg 37, 1422 AC UITHOORN, NEDERLAND

Dichiarazione di conformità relativa alla direttiva EMC 2014/30/UE

Dichiarazione di conformità relativa alla direttiva RoHS 2011/65/UE

Produttore:

JVCKENWOOD Corporation
3-12, Moriyacho, Kanagawa-ku, Yokohama-shi, Kanagawa
221-0022, JAPAN

Rappresentante UE:

JVCKENWOOD Europe B.V.
Amsterdamseweg 37, 1422 AC UITHOORN, PAESI BASSI

Declaración de conformidad con respecto a la Directiva EMC 2014/30/UE

Declaración de conformidad con respecto a la Directiva RoHS 2011/65/UE

Fabricante:

JVCKENWOOD Corporation
3-12, Moriyacho, Kanagawa-ku, Yokohama-shi, Kanagawa
221-0022, JAPAN

Representante en la UE:

JVCKENWOOD Europe B.V.
Amsterdamseweg 37, 1422 AC UITHOORN, PAÍSES BAJOS

Declaração de Conformidade relativa à Diretiva EMC 2014/30/UE

Declaração de conformidade relativa à Diretiva RoHS 2011/65/UE

Fabricante:

JVCKENWOOD Corporation
3-12, Moriyacho, Kanagawa-ku, Yokohama-shi, Kanagawa
221-0022, JAPÃO

Representante na UE:

JVCKENWOOD Europe B.V.
Amsterdamseweg 37, 1422 AC UITHOORN, PAÍSES BAIXOS

Before Use/ Installation Procedure

WARNING

To prevent injury or fire, take the following precautions:

- To prevent a short circuit, never put or leave any metallic objects (such as coins or metal tools) inside the unit.
- Installation and wiring of this product require specialist skill and experience. To assure your safety, please request a specialist technician to install the unit.
- When you make a hole to install the camera, check the location of pipes, tanks and wiring and avoid touching them. Otherwise it may cause the fire.
- When you make a hole with a drill, use goggles to protect your eyes.

CAUTION

To prevent damage to the product, take the following precautions:

- Make sure to ground the unit to a negative 12V/24V DC power supply.
- When replacing a fuse, only use a new fuse with the prescribed rating. Using a fuse with the wrong rating may cause your unit to malfunction.
- Do not use your own screws. Use only the screws provided. If you use the wrong screws, you could damage the unit.

NOTE

- This product is a camera that provides mirror images (left and right inverted).
- The TV can be connected to an RCA video input that is compatible with the HD camera picture quality, but please check whether the TV you use has a reverse gear activation function.
- This product is designed to supplement the driver's rear view, but the camera images do not show all dangers and obstacles. Be sure to look behind you when reversing to confirm the view.
- This product features a wide-angle lens, so the near view is wide and the far view is narrow, which may create a false sense of distance. Be sure to look behind you when reversing to confirm the view.
- Do not wash your car with an automatic car wash or high-pressure water as it may result in water entering the camera or the camera falling off.
- Check camera bracket installation before driving.
 - Are the screws loose?
 - Is the camera bracket firmly secured?
 - If the rear view camera comes loose while you are driving it may cause an accident.

- Before finally installing the unit, connect the wiring temporarily, making sure it is all connected up properly, and the unit and the system work.
- When mounting this unit, make sure none of the leads are trapped between this unit and the surrounding metalwork or fittings.
- Do not mount this unit near the heater outlet, where it would be affected by heat, or near the doors, where rainwater might splash onto it. (Never install in locations such as the above because of the danger of malfunction due to high temperatures.)
- Before drilling any mounting holes always check behind where you want to drill the holes. Do not drill into the gas line, brake line, electrical wiring or other important parts.
- If this unit is installed in the passenger compartment, anchor it securely so it does not break free while the car is moving, and cause injury or an accident.
- If this unit is installed under a front seat, make sure it does not obstruct seat movement. Route all leads and cords carefully around the sliding mechanism so they do not get caught or pinched in the mechanism and cause a short circuit.

Care and maintenance

- When the product gets dirty, wipe dry with a silicon cloth or soft cloth. If it is seriously stained, remove stain with a cloth moistened with a neutral cleaner and then wipe the cleaner away. Do not use a hard cloth and/or a volatile substance such as lacquer thinner or alcohol, scratches, deformation, degradation and/or damage may result.
- When a lens component gets dirty, wipe gently with a soft cloth moistened with water. Do not rub with a dry cloth to prevent scratching the lens.

Installation Procedure

This section is for the professional installer. For safety's sake, leave wiring and mounting to professionals. Consult the car audio dealer.

- 1** To prevent a short circuit, remove the key from the ignition and disconnect the ⊖ battery.
- 2** Make the proper input and output wire connections for each unit.
- 3** Connect the wiring harness wires in the following order: ground, ignition and camera unit.
- 4** Install the unit in your car.
- 5** Reconnect the ⊖ battery.

⚠️WARNING

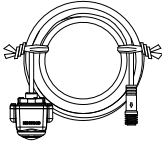
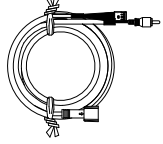
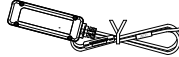
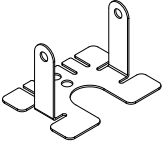


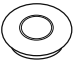

- If you connect the ignition wire (Red) to the car chassis (Ground), you may cause a short circuit, that in turn may start a fire. Always connect those wires to the power source running through the fuse box.
- Do not cut out the fuse from the ignition wire (Red). The power supply must be connected to the wires via the fuse.

⚠️CAUTION

- If your car's ignition does not have an ACC position, connect the ignition wires to a power source that can be turned on and off with the ignition key. If you connect the ignition wire to a power source with a constant voltage supply, as with battery wires, the battery may die.
- If the fuse blows, first make sure the wires aren't touching to cause a short circuit, then replace the old fuse with one with the same rating.
- Insulate unconnected wires with vinyl tape or other similar material. To prevent a short circuit, do not remove the caps on the ends of the unconnected wires or the terminals.
- After the unit is installed, check whether the brake lamps, blinkers, wipers, etc. on the car are working properly.
- Install so that it does not obstruct the rear field of view.
- Install so that it does not protrude from the side of the car.
- Do not perform installation in rain or fog.
- When humidity is high, dry the surface to which the unit is to be attached before installing.
- Moisture on the attachment surface reduces adhesive strength, which may lead to the unit coming off.
- Do not attach the camera bracket to areas on the car body treated with fluorocarbon resin, or glass.
- May result in the rear view camera falling off.
 - Do not apply water to the unit.
 - Do not expose the unit to rain.
 - Do not subject the camera to unnecessary force.
 - Thoroughly clean where tape is used for sticking on the unit.
- Refer to the Instruction's manual for details on connecting the other units, then make connections correctly.
- Secure the wiring with cable clamps or adhesive tape. To protect the wiring, wrap adhesive tape around them where they lie against metal parts.
- Route and secure all wiring so it cannot touch any moving parts, such as the gear shift, handbrake and seat rails.

- Do not route wiring in places that get hot, such as near the heater outlet. If the insulation of the wiring melts or gets torn, there is a danger of the wiring short-circuiting to the vehicle body.
- When replacing the fuse, be sure to use only fuse of the rating prescribed on the fuse holder.
- To minimize noise locate the TV antenna cable, radio antenna cable and RCA cable as far away from each other as possible.
- Lay the cords by avoiding high-temperature areas. Use corrugated tubes for wiring inside the engine room. If a cord contacts a high-temperature area of the vehicle, the coating may melt and cause short-circuiting, which may lead to a fire or electric shock hazard.

Accessories

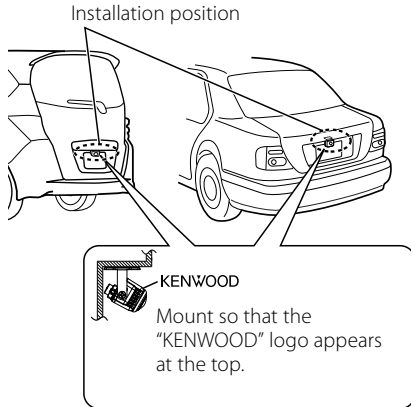
Camera (3.0 m).....1 	Power cord (6.0 m ^[1]).....1 
Power unit.....1 	Camera bracket.....1 
Screw (M3 × 5 mm).....2 	Camera bracket clamping screw (Ø3 × 8 mm).....1 
Grommet.....1 	Band.....1 

[1] Including the power unit

Installation

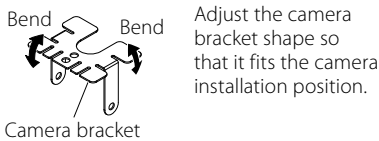
Recommended Installation Position

Examples of correct camera installation on the rear of the vehicle

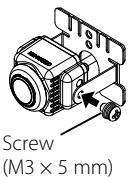


Installing the Camera/Adjusting its angle

- 1 Decide the camera installation position.
- 2 Clean the camera installation surface.
Using a commercially available cleaner, wipe dirt, moisture and oil away from the surface on which the camera bracket is to be attached.
- 3 If required, separate the camera bracket from the camera and adjust the shape according to the surface on which it will be attached.

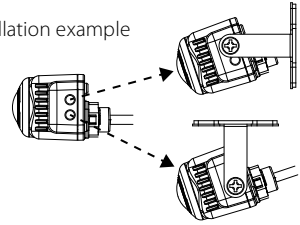


- 4 Mount the camera on the camera bracket.
Secure the camera to the camera bracket with the mounting screw. (2 locations on each side)
Mount so that the "KENWOOD" logo appears at the top.

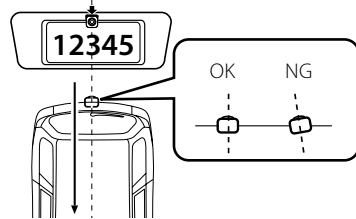


The camera has two securing holes at the side at the top and bottom.
Please adjust according to the installation.

Installation example

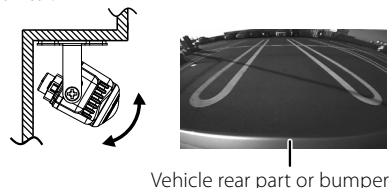


- 5 Fix the camera temporarily with tape, etc. Using a piece of tape, etc., fix the camera temporarily.



Install the camera at the center of the vehicle and not to hide the number plate. And also install straight toward the forward/reverse direction of the vehicle. Be careful not to lean the camera toward other directions of the vehicle, etc.

- 6 Complete all of the required connections.
- 7 Display the camera video.
Before viewing the camera, apply the parking brake and chock the wheels so that the vehicle will not move. Otherwise, an unexpected accident may result.
For displaying the camera video, read the instruction manual for your video monitor.
Change the shift lever to the R (Reverse) range to view the image of the rear of the vehicle.
- 8 Adjust the camera angle.
When adjusting the camera angle, be careful not to stretch the camera cord.
Adjust the angle so that the rear of the vehicle or the bumper can be seen at the bottom of the monitor.



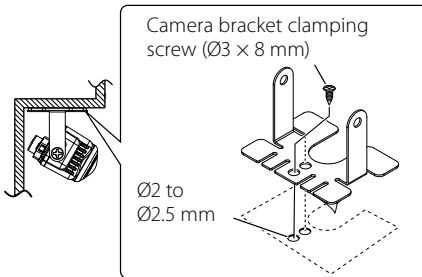
9 After adjusting the camera angle, tighten the retaining screws firmly.

Inspect the retaining screws at times. If they are loose, tighten them firmly.

10 Fix the camera firmly in position.

Peel off the paper liner from the double-side adhesive tape on the camera bracket and attach it. After attaching, push the camera bracket with your finger to ensure close adhesion.

Do not touch the adhesive surface with your hand or peel and reattach an attached tape, as these will degrade the adhesive force and may cause the camera bracket to be detached. If required, secure the bracket on the vehicle body using the camera bracket clamping screw. The camera bracket has two holes for the screw. Select one of them to fit the position of the attachment.

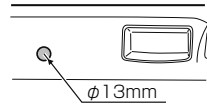


Using a grommet

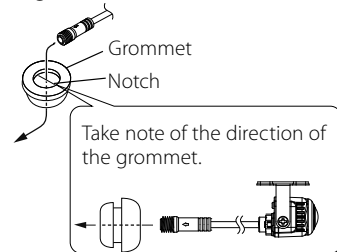
⚠CAUTION

- When drilling a hole in the car body to mount the camera, check the positions of fluid lines, tanks, electrical wiring, etc. to make sure there will be no interference or contact with these. Failure to do so could result in a fire, electric shock or malfunction.
- If drilling work is required, be sure to wear a pair of goggles to prevent chips and debris from entering your eyes. Otherwise, there is a risk of injuries.

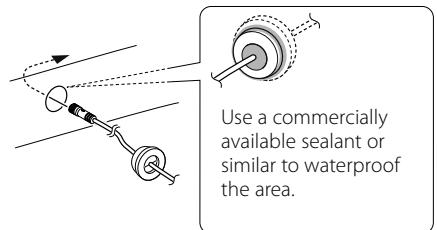
1 Drill a hole of $\Phi 13$ mm for the wiring.



2 Make a notch in the enclosed grommet and pass the cable connector on the camera side through it.



3 Waterproof the grommet area on the inner side of the back door with a commercially available sealant or similar.

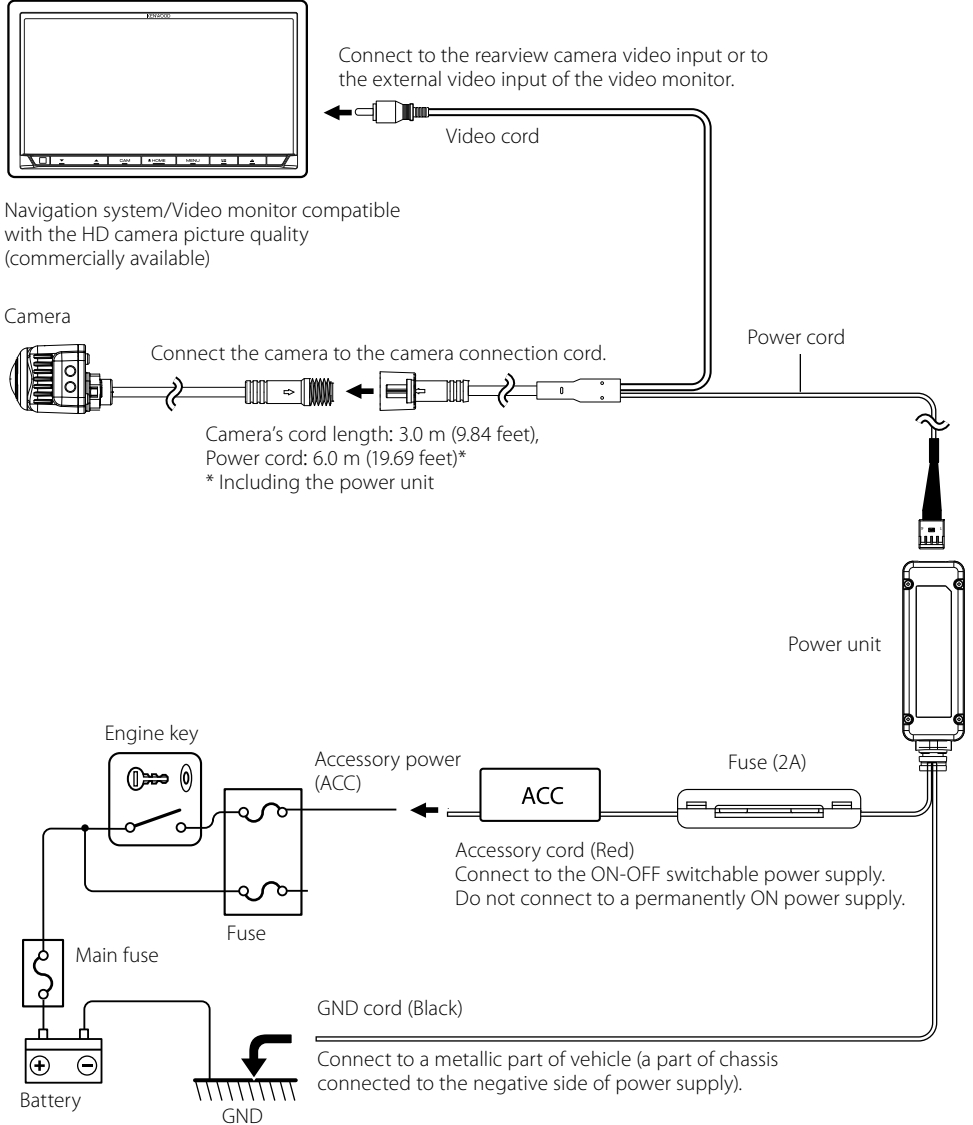


Connections

⚠ CAUTION

- If the engine key of your vehicle does not have the ACC position, branch the wire energized when the engine key is ON and connect it to the accessory power cord.
- Before proceeding to connections, make sure that the engine key is not inserted and disconnect the (⊖) terminal of the battery to prevent the short-circuiting incident.
- Do not bend the camera cord to a diameter of 40 mm or a radius of 20 mm or less.

Basic Connections



Specifications

Camera Unit

Lens

Wide angle,
Focal length: 1.86 mm,
F value 2.0

Angles of view

: Horizontal: 180°
: Vertical: 103°

Waterproof and dustproof: IP67

Image sensor: 1/3.8-inch color CMOS sensor

Number of pixels

: 1.3 Mega pixels

Object illuminance

: 1.0 lux to 100 k lux

Resolution: 1280 × 720

Frame rate: 30 fps

Video Output

: Wide-angle mirror image (for rearview)

Output I/F: HD-TVI

Operating temperature

: -30 °C to +85 °C

Dimensions (W × H × D)

: 31.1 × 23.0 × 25.2 mm
1-1/4 × 7/8 × 1 inch

Weight

: 33.2 g (1.2 oz)
(without cable)

Power unit

Operating voltage: DC 12V/24V

Dimensions (W × H × D)

: 69.2 × 23.6 × 15.5 mm
2-3/4 × 15/16 × 5/8 inch
(Excluding protrusions)

- Mirror image means that the video image inverts the left and right just like the image seen on the rearview mirror or a side mirror.
- Specifications subject to change without notice.

Information on Disposal of Old Electrical and Electronic Equipment (applicable for countries that have adopted separate waste collection systems)



Products with the symbol (crossed-out wheeled bin) cannot be disposed as household waste.

Old electrical and electronic equipment should be recycled at a facility capable of handling these items and their waste byproducts.

Contact your local authority for details in locating a recycle facility nearest to you. Proper recycling and waste disposal will help conserve resources whilst preventing detrimental effects on our health and the environment.

Avant utilisation / Procédure d'installation

AVERTISSEMENT

Pour éviter toute blessure et/ou incendie, veuillez prendre les précautions suivantes :

- Afin d'éviter tout court-circuit, ne placez et ne laissez jamais d'objets métalliques (tels que des pièces de monnaie ou des outils en métal) dans l'appareil.
- L'installation et le câblage de ce produit nécessite les compétences et l'expérience d'un spécialiste. Pour garantir la sécurité, veuillez demander à un technicien spécialisé d'installer l'unité.
- Lorsque vous faites un trou pour installer la caméra, vérifiez l'emplacement des tuyaux, des réservoirs et du câblage et évitez de les toucher. Sinon, cela pourrait provoquer un incendie.
- Lorsque vous faites un trou avec une perceuse, utilisez des lunettes de protection pour protéger vos yeux.

ATTENTION

Afin d'éviter d'endommager l'appareil, prenez les précautions suivantes :

- Assurez-vous de mettre l'appareil à la masse sur une alimentation négative de 12V/24V CC.
- Si un fusible doit être changé, remplacez-le uniquement par un fusible neuf, de la valeur spécifiée. L'utilisation d'un fusible d'une valeur différente peut être la cause d'un mauvais fonctionnement de votre appareil.
- N'utilisez pas vos propres vis. N'utilisez que les vis fournies. Si vous utilisez des vis inappropriées, vous risquez d'endommager l'appareil.

REMARQUE

- Ce produit est une caméra qui fournit des images en miroir (gauche et droite inversées).
- Le téléviseur peut être connecté à une entrée vidéo RCA compatible avec la qualité d'image de la caméra HD, mais veuillez vérifier que le téléviseur que vous utilisez dispose d'une fonction d'activation de la marche arrière.
- Ce produit est conçu pour compléter la vue arrière du conducteur, mais les images de la caméra ne permettent pas de voir tous les dangers et les obstacles. Lors des marches arrière, veillez à regarder derrière vous pour confirmer les vues de la caméra.
- Ce produit est équipé d'un objectif grand angle, de sorte que les vues de près sont larges et les vues de loin sont étroites, ce qui peut fausser l'impression de distance. Veillez à regarder derrière vous lorsque vous reculez pour contrôler la vue.
- Ne lavez pas votre voiture dans une station de lavage automatique ou avec un jet à haute pression. De l'eau pourrait pénétrer dans la caméra ou bien celle-ci risquerait de tomber.


- Vérifiez le support de montage de la caméra avant de conduire.
Les vis sont-elles desserrées ?
 - Le support de la caméra est-il bien fixé ?
 - Si la caméra de vue arrière se détache pendant que vous conduisez, elle peut causer un accident.
- Avant d'installer définitivement l'appareil, connectez les fils temporairement pour vérifier que le raccordement est correct et que l'appareil et le système fonctionnent.
- Lors du montage de cet appareil, vérifiez qu'aucun fil ne reste coincé entre l'appareil et les pièces métalliques et de montage qui l'entourent.
- Ne montez pas cet appareil près de la sortie du chauffage, où il pourrait être endommagé par la chaleur, ni près des portes, où il risquerait d'être éclaboussé par l'eau de pluie. (N'installez jamais l'appareil dans des emplacements tels que mentionnés ci-avant, en raison du danger de dysfonctionnement causé par des températures élevées.)
- Avant de percer les trous pour le montage, examinez toujours le verso de la surface que vous souhaitez percer. Ne pas percer dans la ligne d'échappement, les durites de frein, le câblage électrique ou d'autres éléments importants.
- Si cet appareil est installé dans l'habitacle, fixez-le fermement de sorte qu'il ne se détache pas lorsque le véhicule est en mouvement, afin d'éviter tout accident ou blessure.
- Si cet appareil est installé sous un siège avant, vérifiez qu'il n'enrave pas le mouvement du siège. Acheminez avec soin tous les fils et cordons autour du mécanisme de glissement de manière à ce qu'ils ne soient pas coincés ou pincés par le mécanisme, ce qui pourrait causer un court-circuit.

Nettoyage et entretien

- Si l'appareil est sale, nettoyez-le à l'aide d'un chiffon siliconé ou d'un chiffon doux. S'il est très sale, nettoyez-le à l'aide d'un chiffon imbibé de détergent neutre puis essuyez-le. N'utilisez pas de chiffon rêche ni de liquide volatil (tel que de l'alcool ou du dissolvant) pour nettoyer l'appareil. Cela pourrait le rayer, le déformer, l'abîmer et/ou l'endommager.
- Si l'objectif est sale, nettoyez-le soigneusement avec un chiffon doux imbibé d'eau. Ne frottez pas l'objectif avec un chiffon rêche ; vous risqueriez de le rayer.

Procédure d'installation

Cette section est pour l'installateur professionnel. Pour des raisons de sécurité, confiez le câblage et le montage à des professionnels. Consultez un revendeur d'audio pour automobile.

- 1** Afin d'éviter tout court-circuit, enlevez la clé du système d'allumage et déconnectez la  batterie.

- 2** Effectuez les bonnes connexions de câble d'entrée et de sortie pour chaque appareil.
- 3** Connectez les fils du câblage de distribution électrique dans l'ordre suivant : terre, système de démarrage et caméra.
- 4** Installez l'appareil dans votre voiture.
- 5** Reconnectez la batterie ☹.

⚠️ AVERTISSEMENT

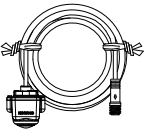
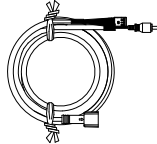

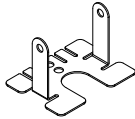



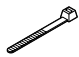
- Si vous connectez le fil d'allumage (Rouge) au châssis de la voiture (Masse), cela peut causer un court-circuit qui peut lui-même entraîner un incendie. Connectez toujours ces fils à la source d'alimentation exécutée via la boîte à fusibles.
- Ne déconnectez pas le fusible du fil d'allumage (Rouge). L'alimentation doit parvenir aux câbles par l'intermédiaire du fusible.

⚠️ ATTENTION

- Si l'allumage de votre voiture ne dispose pas d'une position ACC, connectez les câbles d'allumage à une source d'alimentation pouvant être activée et inactivée avec la clé de contact. Si vous connectez le câble d'allumage à une source d'alimentation avec une tension constante, telle que les câbles de batterie, la batterie risque de s'épuiser.
- Si un fusible saute, assurez-vous d'abord que les câbles n'ont pas causé de court-circuit puis remplacez le vieux fusible par un nouveau de même valeur.
- Isolez les câbles non connectés avec un ruban en vinyle ou un autre matériau similaire. Pour éviter tout court-circuit, ne retirez pas les capuchons à l'extrémité des câbles non connectés et sur les prises.
- Une fois l'appareil installé, vérifiez que les voyants de frein, les clignotants, les essuie-glaces, etc. fonctionnent correctement sur la voiture.
- Installez la caméra de sorte qu'elle ne gêne pas le champ de vision à l'arrière.
- Installez-la de sorte qu'elle ne dépasse pas d'un côté de la voiture.
- N'effectuez pas l'installation sous la pluie ou dans la brume.
- En cas de forte humidité, séchez la surface sur laquelle l'appareil doit être monté avant de l'installer.
- Si la surface de montage est humide, l'adhérence sera moins forte et l'appareil pourrait se détacher.
- Ne fixez pas le support de la caméra sur des surfaces du véhicule qui ont été traitées avec de la résine fluorocarbonée, ni sur du verre.
- La caméra pourrait tomber.
 - Ne mouillez pas l'appareil.
 - N'exposez pas l'appareil à la pluie.
 - Ne soumettez l'appareil à aucune force excessive.
 - Nettoyez minutieusement les surfaces de l'appareil sur lesquelles vous allez appliquer le ruban adhésif.

- Référez-vous au mode d'emploi pour connaître les détails concernant la connexion à d'autres appareils, puis effectuez les raccordements appropriés.
- Attachez les fils avec des colliers pour câbles ou du ruban adhésif. Pour protéger les fils, entourez-les de ruban adhésif aux endroits où ils touchent des pièces métalliques.
- Acheminez et fixez tous les câbles de manière à ce qu'ils ne touchent aucune pièce mobile, comme par exemple le levier de vitesses, le frein à main ou les rails des sièges.
- Ne faites pas passer les câbles par des zones pouvant devenir chaudes, comme par exemple à proximité d'une sortie de chauffage. Si l'isolation des fils fond ou se déchire, il y a danger que les câbles entrent en contact avec la carrosserie du véhicule et provoquent un court-circuit.
- Lors du remplacement d'un fusible, assurez-vous d'utiliser uniquement un fusible du même calibre que celui indiqué sur le support du fusible.
- Afin de réduire au maximum les interférences, placez le câble d'antenne TV, le câble de radio et le câble RCA aussi loin les uns des autres que possible.
- Placez les câbles de façon à éviter les zones soumises à de fortes températures. Utilisez des tubes ondulés pour effectuer le câblage dans le compartiment moteur. Si un câble entre en contact avec une zone chaude du véhicule, sa gaine peut fondre et provoquer un court-circuit, qui pourrait à son tour entraîner un incendie ou une décharge électrique.

Accessoires

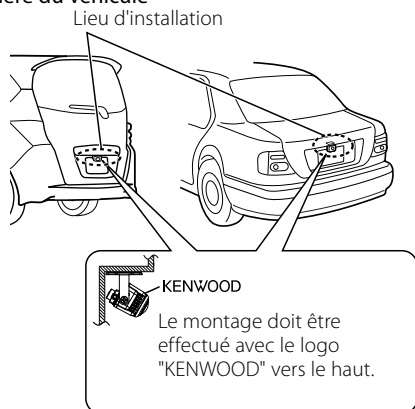
Caméra (3,0 m).....1 	Cordon d'alimentation (6,0 m ^[1]).....1 
Bloc d'alimentation.....1 	Support de la caméra.....1 
Vis (M3 x 5 mm).....2 	Vis de fixation du support de caméra (Ø3 x 8 mm).....1 
Passe-câble.....1 	Collier.....1 

[1] Y compris le bloc d'alimentation

Installation

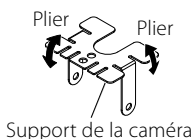
Position d'installation recommandée

Exemples d'installation correcte de la caméra à l'arrière du véhicule



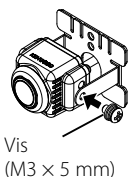
Installation de la caméra/Réglage de l'angle

- 1 Déterminez le lieu d'installation de la caméra.
- 2 Nettoyez la surface de montage de la caméra.
Utilisez un produit de nettoyage classique pour éliminer les impuretés et toute trace d'humidité et de graisse sur la surface où le support de la caméra doit être monté.
- 3 Si cela est nécessaire, détachez le support de la caméra et adaptez sa forme à la surface de montage.



Adaptez la forme du support de la caméra à la surface d'installation de la caméra.

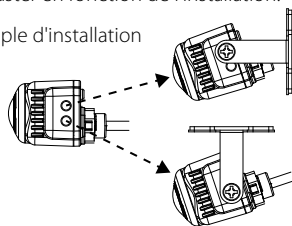
- 4 Montez la caméra sur son support.



Fixez la caméra au support de caméra avec les vis de montage. (2 emplacements de chaque côté)
Le montage doit être effectué avec le logo "KENWOOD" vers le haut.

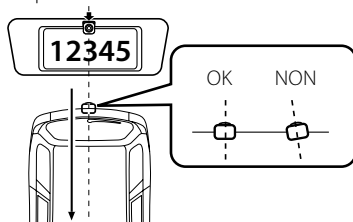
La caméra a deux trous de fixation latéraux en haut et en bas.
Veuillez ajuster en fonction de l'installation.

Exemple d'installation



- 5 Fixez momentanément la caméra avec du ruban adhésif, etc.

À l'aide d'un morceau de ruban adhésif, etc., fixez temporairement la caméra.



Installez la caméra au centre du véhicule sans qu'elle ne cache la plaque d'immatriculation. Orientez-la parallèlement à la direction de déplacement du véhicule. Veillez à ne pas incliner la caméra dans d'autres directions, etc.

- 6 Effectuez tout le câblage requis.
- 7 Affichez les images de la caméra.

Avant de regarder les images, enclenchez le frein à main et calez les roues pour que le véhicule ne bouge pas. Dans le cas contraire, vous risqueriez un accident.

Pour afficher la vidéo de la caméra, lisez le manuel d'instructions de votre moniteur vidéo. Passez la marche arrière pour voir les images filmées derrière le véhicule.

- 8 Ajustez l'angle de la caméra.

Lors du réglage de l'angle de la caméra, veillez à ne pas tirer sur le câble de la caméra. Réglez l'angle de sorte que l'arrière du véhicule ou le pare-chocs soient visibles au bas de l'écran.



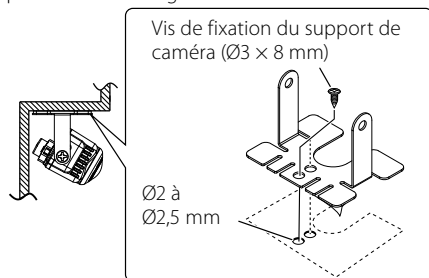
Arrière du véhicule ou pare-choc

9 Après avoir réglé l'angle de la caméra, serrez fermement les vis de fixation.

Vérifiez le serrage des vis de fixation de temps à autre. Si elles se desserrent, revissez-les fermement.

10 Fixez fermement la caméra à sa place.

Enlevez la protection du ruban adhésif double face sur le support de la caméra, puis fixez celui-ci. Ensuite, poussez du doigt le support de la caméra pour vérifier qu'il reste bien en place. Ne touchez pas la surface adhésive avec la main et ne décollez pas le ruban adhésif pour le recoller. L'adhérence en serait amoindrie et le support de la caméra risquerait de se détacher. Si besoin est, fixez le support sur le véhicule à l'aide de la vis de serrage du support de la caméra. Le support de caméra a deux trous de vis. Sélectionnez l'un d'entre eux en fonction de la position de montage.

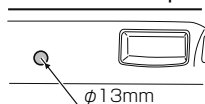


Utilisation d'un passe-câble

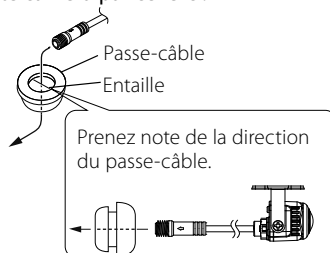
⚠ ATTENTION

- Lorsque vous percez un trou dans la carrosserie pour monter la caméra, vérifiez les positions des canalisations de fluide, des réservoirs, du câblage électrique, etc. pour vous assurer qu'il n'y aura aucune interférence ou aucun contact avec celles-ci. Sinon, vous risquez un incendie, une électrocution ou un dysfonctionnement.
- Si un perçage est nécessaire, veillez à porter une paire de lunettes de protection pour empêcher les copeaux et les débris de pénétrer dans vos yeux. Dans le cas contraire, vous risquez de vous blesser.

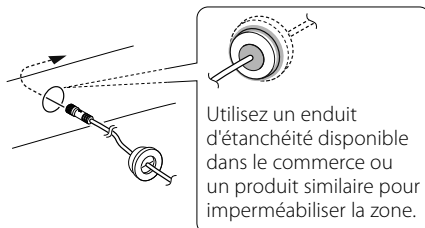
1 Percez un trou de Ø13 mm pour le câblage.



2 Faites une encoche dans le passe-câble fourni et faites passer le connecteur de câble côté caméra par celle-ci.



3 Imperméabilisez la zone de passe-câble sur le côté intérieur de la porte arrière avec un enduit d'étanchéité disponible dans le commerce ou similaire.

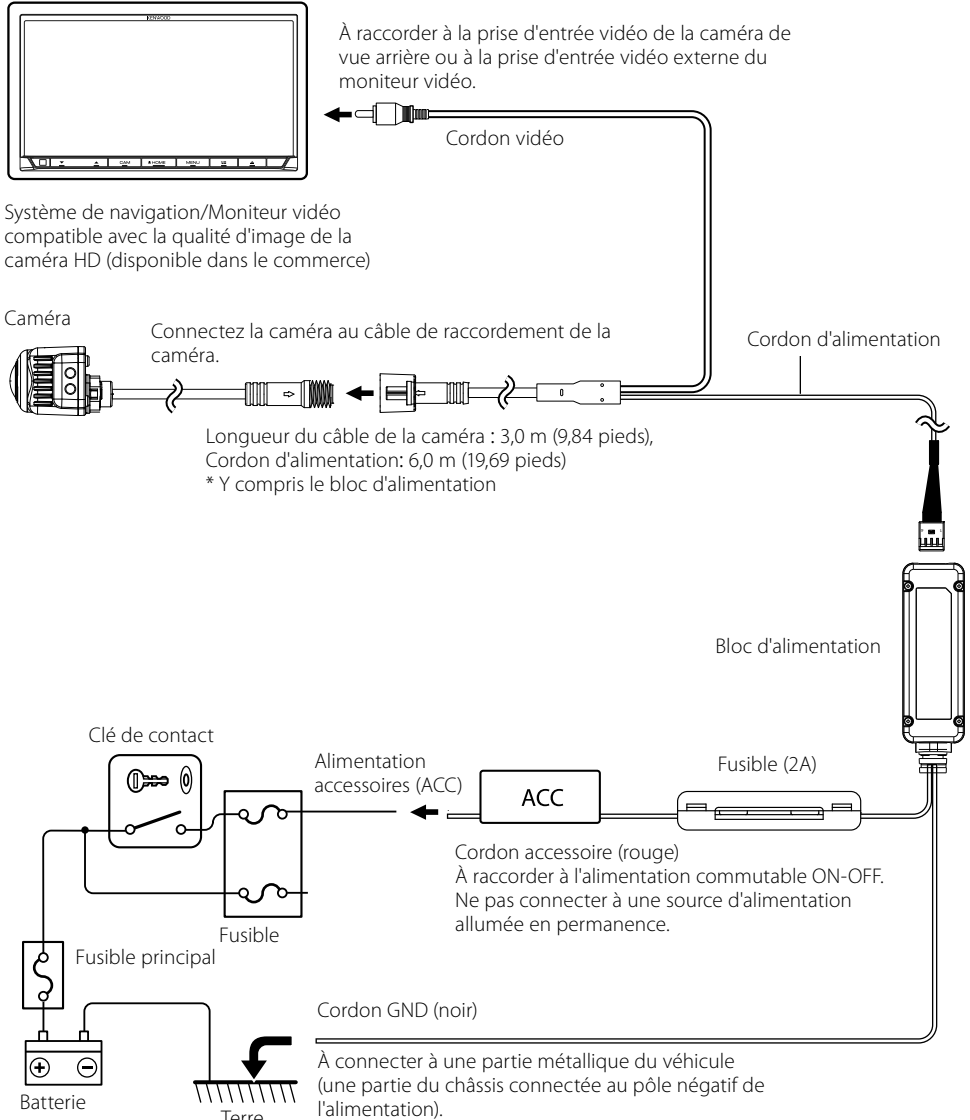


Raccordements

⚠ ATTENTION

- Si la clé de contact de votre véhicule n'a pas de position ACC, branchez le câble qui est sous tension lorsque la clé de contact est sur ON et raccordez-le au cordon d'alimentation des accessoires.
- Avant d'effectuer les raccordements, vérifiez que la clé de contact n'est pas insérée et débranchez la borne (⊖) de la batterie pour éviter tout court-circuit.
- Ne courbez pas le cordon de la caméra à un diamètre de 40 mm ou à un rayon de 20 mm ou moins.

Raccordements de base



Spécifications

Caméra

Objectif

Grand angle,
Longueur focale 1,86 mm,
Valeur F 2,0

Angles de vue

: Horizontal : 180°
: Vertical : 103°

Étanche à l'eau et à la poussière : IP67

Capteur d'image

: Capteur CMOS couleur 1/3,8"

Nombre de pixels

: 1,3 méga pixels

Éclairage de l'objet

: 1,0 lux à 100 k lux

Résolution : 1280 × 720

Fréquence d'image : 30 ips

Sortie I/F : HD-TVI

Sortie vidéo

: Image inverse grand angle (pour vue arrière)

Température de fonctionnement

: -30 °C à + 85 °C

Dimensions (L × H × P)

: 31,1 × 23,0 × 25,2 mm
1-1/4 × 7/8 × 1 pouce

Poids

: 33,2 g (1,2 oz)
(sans câble)

Bloc d'alimentation

Tension de fonctionnement : CC 12 V/24 V

Dimensions (L × H × P)

: 69,2 × 23,6 × 15,5 mm
2-3/4 × 15/16 × 5/8 pouces
(Excluant les saillies)

- Une image inverse est une image vidéo dans laquelle la gauche et la droite sont inversées, exactement comme pour l'image que l'on peut voir dans le rétroviseur central ou latéral.
- Les spécifications sont susceptibles d'être modifiées sans préavis.

Informations sur la mise au rebut des équipements électriques et électroniques usagés (applicable aux pays qui ont adopté des systèmes de collecte sélective)



Les produits portant le symbole (poubelle à roulettes barrée) ne peuvent pas être jetés avec les déchets ménagers.

Les équipements électriques et électroniques usagés doivent être recyclés dans des installations capables de manipuler ces articles et leurs sous-produits de déchets.

Contactez les autorités locales pour plus de détails sur la localisation de l'installation de recyclage la plus proche de chez vous.

Un recyclage et une élimination appropriés contribueront à préserver les ressources tout en prévenant les effets néfastes sur la santé et l'environnement.

Vor Inbetriebnahme/ Hinweise zum Einbau

⚠ACHTUNG

Zur Vermeidung von Bränden und Verletzungen beachten Sie bitte die folgenden Hinweise:

- Stellen Sie sicher, dass keine Metallgegenstände (Münzen, Nadeln, Werkzeuge usw.) ins Innere des Geräts gelangen und Kurzschlüsse verursachen.
- Für Montage und Verkabelung dieses Produkts sind die Fähigkeiten und die Erfahrung eines Fachmanns erforderlich. Zu Ihrer eigenen Sicherheit sollten Sie einen Spezialisten mit der Montage des Geräts betrauen.
- Wenn Sie ein Loch für die Installation der Kamera bohren, überprüfen Sie die Lage von Rohren, Tanks und Kabeln, und berühren Sie sie nicht. Andernfalls kann es zu einem Brand kommen.
- Wenn Sie mit einem Bohrer ein Loch bohren, verwenden Sie eine Schutzbrille, um Ihre Augen zu schützen.

⚠ACHTUNG

Zur Vermeidung von Schäden am Produkt sind folgende Vorsichtsmaßnahmen zu treffen:

- Betreiben Sie das Gerät ausschließlich mit einem Netzteil mit einer negativen Spannungstärke von 12 V/24 V DC.
- Wenn Sie eine Sicherung ersetzen, verwenden Sie ausschließlich Sicherungen mit den angegebenen Werten. Die Verwendung einer Sicherung mit falschen Werten kann zur Fehlfunktion des Geräts führen.
- Verwenden Sie für den Einbau ausschließlich die mitgelieferten Schrauben. Verwenden Sie ausschließlich die mitgelieferten Schrauben. Die Verwendung der falschen Schrauben kann zur Beschädigung des Geräts führen.

HINWEIS

- Dieses Produkt ist eine Kamera, die Spiegelbilder darstellt (links und rechts invertiert).
- Der Fernseher kann an einen RCA-Videoeingang angeschlossen werden, der mit der Bildqualität der HD-Kamera kompatibel ist. Überprüfen Sie jedoch, ob das von Ihnen verwendete Fernsehgerät über eine Rückwärtsgang-Aktivierungsfunktion verfügt.
- Dieses Produkt ist als Ergänzung der rückwärtigen Sicht des Fahrers konzipiert. Allerdings zeigen die Bilder der Kamera nicht alle Gefahren und Hindernisse. Sehen Sie deshalb bei der Rückwärtsfahrt trotzdem nach hinten, um Verkehrssituation zu kontrollieren.
- Dieses Produkt verfügt über ein Weitwinkelobjektiv, welches die Nahansicht breit und die Weitansicht schmal darstellt. Dadurch kann die Einschätzung von Entfernungen beeinträchtigt werden. Sehen Sie deshalb bei der Rückwärtsfahrt trotzdem nach hinten, um Verkehrssituation zu kontrollieren.
- Waschen Sie Ihr Auto nicht in einer automatischen Waschanlage oder mit einem Hochdruck-Wasserstrahl, da andernfalls Wasser in die Kamera eindringen oder diese sogar abfallen könnte.

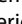
- Überprüfen Sie die Halterung der Kamera vor Fahrtbeginn. Sitzen die Schrauben fest?
 - Ist die Halterung der Kamera fest angebracht?
 - Wenn sich die Rückfahrkamera während der Fahrt löst, kann dadurch ein Unfall verursacht werden.
- Vor der endgültigen Montage des Geräts sollte die Verkabelung provisorisch angeschlossen werden. Dabei ist darauf zu achten, dass alles korrekt angeschlossen ist und Gerät sowie System funktionieren.
- Bei der Montage des Geräts ist darauf zu achten, dass keines der Kabel zwischen dem Gerät und den umliegenden Metallteilen oder Verschraubungen eingeklemmt wird.
- Das Gerät nicht in der Nähe der Heizungsöffnung anbringen, da es dort von der abgehenden Wärme beeinträchtigt wird. Des Weiteren ist von einer Montage in Türnähe abzusehen, da die Kamera dort dem Regenwasser ausgesetzt ist. (Das Gerät nie an den oben genannten Orten montieren, da sonst die Gefahr einer Fehlfunktion durch hohe Temperaturen besteht.)
- Bevor Sie Montagelöcher bohren, sollten Sie die Stelle der Bohrung überprüfen. Achten Sie dabei darauf, nicht etwa in die elektrische Verkabelung, die Kraftstoff- oder Bremsleitung oder sonstige wichtige Teile zu bohren.
- Wenn dieses Gerät in der Fahrgastzelle montiert ist, achten Sie auf eine stabile Befestigung, so dass es sich bei der Fahrt nicht lösen und Verletzungen oder Unfälle hervorrufen kann.
- Wenn dieses Gerät unter dem Vordersitz montiert ist, achten Sie darauf, dass die Sitzbewegungen dadurch nicht eingeschränkt werden. Verlegen Sie alle Kabel und Leitungen sorgfältig um den Schiebe-Mechanismus des Sitzes, so dass sie sich nicht im Mechanismus verfangen oder durch ihn gequetscht werden, da dadurch ein Kurzschluss verursacht werden könnte.

Pflege und Wartung

- Wenn das Produkt verschmutzt ist, wischen Sie es mit einem Silikon Tuch oder einem weichen Tuch ab. Wenn es stark verschmutzt ist, wischen Sie es bitte mit einem mit Neutralreiniger befeuchteten Tuch ab und entfernen Sie anschließend die Reinigungsmittelreste. Verwenden Sie kein hartes Tuch bzw. Lösungsmittel wie z.B. Lackverdünner oder Alkohol. Dies kann zu Kratzern, Verformungen bzw. zu einer Beschädigung der Kamera führen.
- Wenn ein Bestandteil des Objektivs verschmutzt ist, wischen Sie es sanft mit einem weichen, mit Wasser angefeuchteten Tuch ab. Verwenden Sie kein trockenes Tuch, um ein Zerkratzen des Objektivs zu vermeiden.

Hinweise zum Einbau

Dieser Abschnitt richtet sich an den professionellen Installateur. Überlassen Sie die Verkabelung und Montage aus Sicherheitsgründen Fachleuten. Wenden Sie sich an den Autoradio-Händler.

- 1** Um einen Kurzschluss zu vermeiden, ziehen Sie den Schlüssel aus dem Zündschloss und trennen Sie die -Batterie.

- 2** Stellen Sie sicher, dass Sie bei jedem Gerät die Ein- und Ausgangskabel richtig anschließen.
- 3** Schließen Sie die Kabel des Kabelbaums in der folgenden Reihenfolge an: Masse, Zündung und Kamera.
- 4** Bauen Sie das Autoradio in Ihrem Fahrzeug ein.
- 5** Schließen Sie die \ominus -Batterie wieder an.

⚠️ACHTUNG

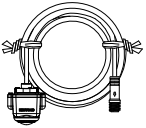
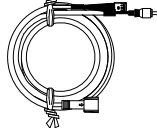
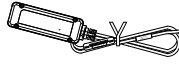
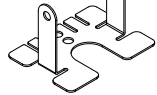




- Wenn Sie das Zündkabel (Rot) and das Fahrzeug-Chassis (Masse) anschließen, können Sie dadurch einen Kurzschluss und in der Folge ein Feuer verursachen. Schließen Sie diese Kabel stets an die Stromquelle an, die sich in der Sicherungsdose befindet.
- Umgehen Sie beim Anschluss des Zündkabels (Rot) nicht die Sicherung. Beim Anschluss der Kabel an die Stromquelle ist die Sicherung mit einzubinden.

⚠️ACHTUNG

- Sollte die Zündung Ihres Fahrzeugs keine ACC-Stellung besitzen, schließen Sie die Zündkabel an eine Stromquelle an, die mit dem Zündschlüssel ein- und ausgeschaltet werden kann. Wenn Sie das Zündkabel an eine Konstantspannungs-Stromquelle, wie z. B. einem Batterieakabel, anschließen, kann sich die Batterie entleeren.
- Wenn die Sicherung durchbrennt, überprüfen Sie zuerst, dass die Drähte sich nicht berühren und einen Kurzschluss verursachen. Ersetzen Sie dann die durchgebrannte Sicherung durch eine neue Sicherung mit den gleichen Nenngrößen.
- Isolieren Sie nicht angeschlossene Kabel mit Vinylband oder ähnlichem Material. Um einen Kurzschluss zu vermeiden, entfernen Sie nicht die Kapfen an den Enden der nicht angeschlossenen Kabel oder der Anschlussklemmen.
- Überprüfen Sie nach der Montage des Geräts, ob die Bremslichter, Blinker, Scheibenwischer usw. ordnungsgemäß funktionieren.
- Die Montage ist so vorzunehmen, dass die rückwärtige Sicht nicht behindert wird.
- Die Montage ist so vorzunehmen, dass das Gerät nicht an der Fahrzeugseite herausragt.
- Nehmen Sie die Montage nicht bei Regen oder Nebel vor.
- Bei hoher Luftfeuchtigkeit ist die Montageoberfläche vor der Montage zu trocknen.
- Feuchtigkeit auf der Montageoberfläche verringert die Haftung und führt möglicherweise zum Abfallen des Geräts.
- Bringen Sie die Halterung der Kamera nicht an Glasflächen oder mit Fluorharz behandelten Fahrzeugflächen an.
- Beachten Sie folgende Hinweise, um ein Abfallen der Rückfahrkamera zu vermeiden:
 - Das Gerät nicht mit Wasser behandeln.
 - Das Gerät nicht dem Regen aussetzen.
 - Das Gerät nicht unnötiger Gewaltanwendung aussetzen.
 - Die Stellen gründlich reinigen, an denen Klebeband zur Befestigung des Geräts benutzt wird.

- Nähere Informationen zum korrekten Anschluss der anderen Geräte finden Sie in der Bedienungsanleitung. Nehmen Sie diese Anschlüsse vor.
- Sichern Sie die Verkabelung mit Kabelklemmen oder Klebeband. Zum Schutz der Verkabelung können Sie an den Stellen Klebeband um die Kabel wickeln, wo sie Metallteile berühren.
- Gehen Sie beim Verlegen und Sichern der Verkabelung so vor, dass die Kabel keine beweglichen Teile, wie Gangschaltung, Handbremse oder Sitzschienen berühren können.
- Verlegen Sie die Kabel nicht an Stellen, an denen es heiß werden kann, wie beispielsweise der Heizungsöffnung. Wenn die Isolierung der Verkabelung schmilzt oder einreißt, besteht Kurzschluss-Gefahr bei der Berührung mit der Fahrzeugkarosserie.
- Achten Sie beim Ersetzen der Sicherung auf die Verwendung einer Sicherung mit den in der Sicherungsfassung vorgeschriebenen Werten.
- Um Störungen zu minimieren, sollten TV-Antennenkabel, Radio-Antennenkabel und RCA-Kabel so weit entfernt voneinander wie möglich verlegt werden.
- Verlegen Sie die Kabel nicht in der Nähe von Stellen, an denen es heiß werden kann. Verwenden Sie für die Verkabelung im Motorraum Wellrohre. Wenn ein Kabel mit einer Stelle des Fahrzeugs, an der es heiß werden kann, in Berührung kommt, ist es möglich, dass die Ummantelung schmilzt. Es kann zu einem Kurzschluss und in Folge zu Bränden oder elektrischen Schlägen kommen.

Zubehör

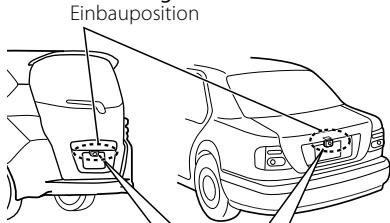
Kamera (3,0 m).....1 	Netzkabel (6,0 m ^[1])..... 1 
Netzteil.....1 	Kamerahalterung.....1 
Schraube (M3 x 5 mm)..... 2 	Klemmschraube der Kamerahalterung (Ø3 x 8 mm)..... 1 
Tülle..... 1 	Band.....1 

[1] Einschließlich dem Netzteil

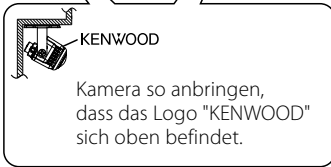
Einbau

Empfohlene Einbauposition

Beispiele für die korrekte Installation der Kamera am Heck des Fahrzeugs



Einbauposition



Kamera so anbringen, dass das Logo "KENWOOD" sich oben befindet.

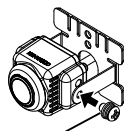
Kamera einbauen/Kamerawinkel einstellen

- 1 Legen Sie die Einbauposition für die Kamera fest.
- 2 Reinigen Sie die Montagefläche.
Verwenden Sie ein handelsübliches Reinigungsmittel, um Verschmutzungen, Feuchtigkeit und Öl von der Stelle zu entfernen, an der die Halterung der Kamera angebracht werden soll.
- 3 Entfernen Sie bei Bedarf die Kamerahalterung von der Kamera und passen Sie die Form der Halterung der Montagefläche an.



Passen Sie die Form der Kamerahalterung gemäß der Einbauposition der Kamera an.

- 4 Bringen Sie die Kamera an der Kamerahalterung an.

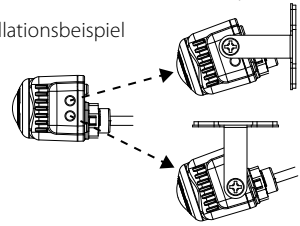


Schraube (M3 x 5 mm)

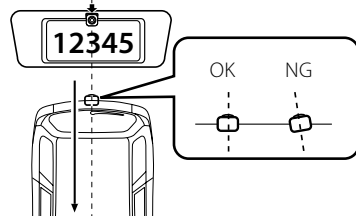
Befestigen Sie die Kamera mit der Befestigungsschraube an der Kamerahalterung. (2 Stellen auf jeder Seite)
Kamera so anbringen, dass das Logo "KENWOOD" sich oben befindet.

Die Kamera hat oben und unten seitlich zwei Befestigungslöcher.
Bitte entsprechend der Installation anpassen.

Installationsbeispiel



- 5 Befestigen Sie die Kamera provisorisch mit Klebeband o.Ä.
Befestigen Sie die Kamera vorübergehend mit einem Stück Klebeband usw.



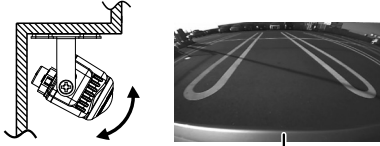
Installieren Sie die Kamera in der Mitte des Fahrzeugs und verdecken Sie das Nummernschild nicht. Und auch gerade in Vorwärts-/Rückwärtsrichtung des Fahrzeugs einbauen. Vermeiden Sie eine Neigung der Kamera in andere Richtungen.

- 6 Nehmen Sie alle erforderlichen Anschlüsse vor.
- 7 Lassen Sie das von der Kamera aufgenommene Video anzeigen.
Ziehen Sie die Feststellbremse an und verkeilen Sie die Räder, um zu verhindern, dass das Fahrzeug sich bewegt, bevor Sie die Kamerabilder ansehen. Andernfalls kann es zu einem unvorhergesehenen Unfall kommen. Lesen Sie zur Anzeige des Kameravideos die Bedienungsanleitung Ihres Videomonitors. Stellen Sie den Schalthebel auf R (Rückwärtsgang), um das Bild der Fahrzeugrückseite anzusehen.

8 Stellen Sie den Kamerawinkel ein.

Achten Sie beim Einstellen des Kamerawinkels darauf, dass das Kamerakabel nicht gespannt wird.

Stellen Sie den Winkel so ein, dass das Heck des Fahrzeugs oder die Stoßstange unten auf dem Monitor sichtbar sind.



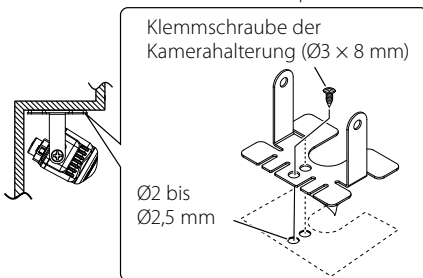
Hinterer Teil des Fahrzeugs oder Stoßstange

9 Ziehen Sie nach dem Einstellen des Kamerawinkels die Befestigungsschrauben fest an.

Die Befestigungsschrauben sollten hin und wieder kontrolliert werden. Ziehen Sie sie fest an, wenn sie sich gelockert haben.

10 Bringen Sie die Kamera fest in ihrer Position an.

Ziehen Sie das Schutzpapier vom doppelseitigen Klebeband an der Kamerahalterung ab und bringen Sie die Halterung an. Drücken Sie die Kamerahalterung anschließend mit dem Finger fest, um eine gute Haftung sicherzustellen. Berühren Sie die Klebefläche nicht mit der Hand. Verwenden Sie außerdem kein Klebeband, das Sie bereits an einer anderen Stelle aufgeklebt und abgezogen haben. Dies beeinträchtigt die Haftfestigkeit und kann dazu führen, dass die Kamerahalterung sich löst. Befestigen Sie die Halterung bei Bedarf mit der entsprechenden Klemmschraube an der Fahrzeugkarosserie. Die Kamerahalterung hat zwei Löcher für die Schraube. Wählen Sie eine davon aus, um sie an die Position des Zubehöerteils anzupassen.

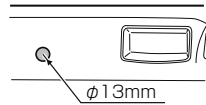


Mit einer Tülle

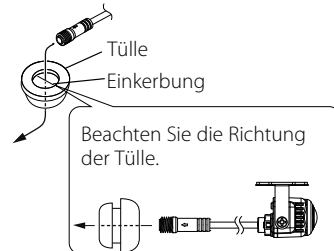
⚠ ACHTUNG

- Wenn Sie ein Loch in die Karosserie bohren, um die Kamera zu montieren, überprüfen Sie die Positionen der Flüssigkeitsleitungen, Tanks, elektrischen Leitungen usw., um sicherzustellen, dass diese nicht gestört oder berührt werden. Andernfalls kann es zu einem Brand, Stromschlag oder einer Fehlfunktion kommen.
- Wenn Bohrarbeiten erforderlich sind, tragen Sie unbedingt eine Schutzbrille, um zu verhindern, dass Späne und Fremdkörper in Ihre Augen gelangen. Ansonsten besteht Verletzungsgefahr.

1 Bohren Sie ein Loch von Ø13 mm für die Verkabelung.



2 Machen Sie eine Kerbe in der beiliegenden Tülle und führen Sie den kameraseitigen Kabelstecker durch diese.



3 Den Tüllenbereich an der Innenseite der Hintertür mit einem handelsüblichen Dichtungsmittel oder Ähnlichem abdichten.

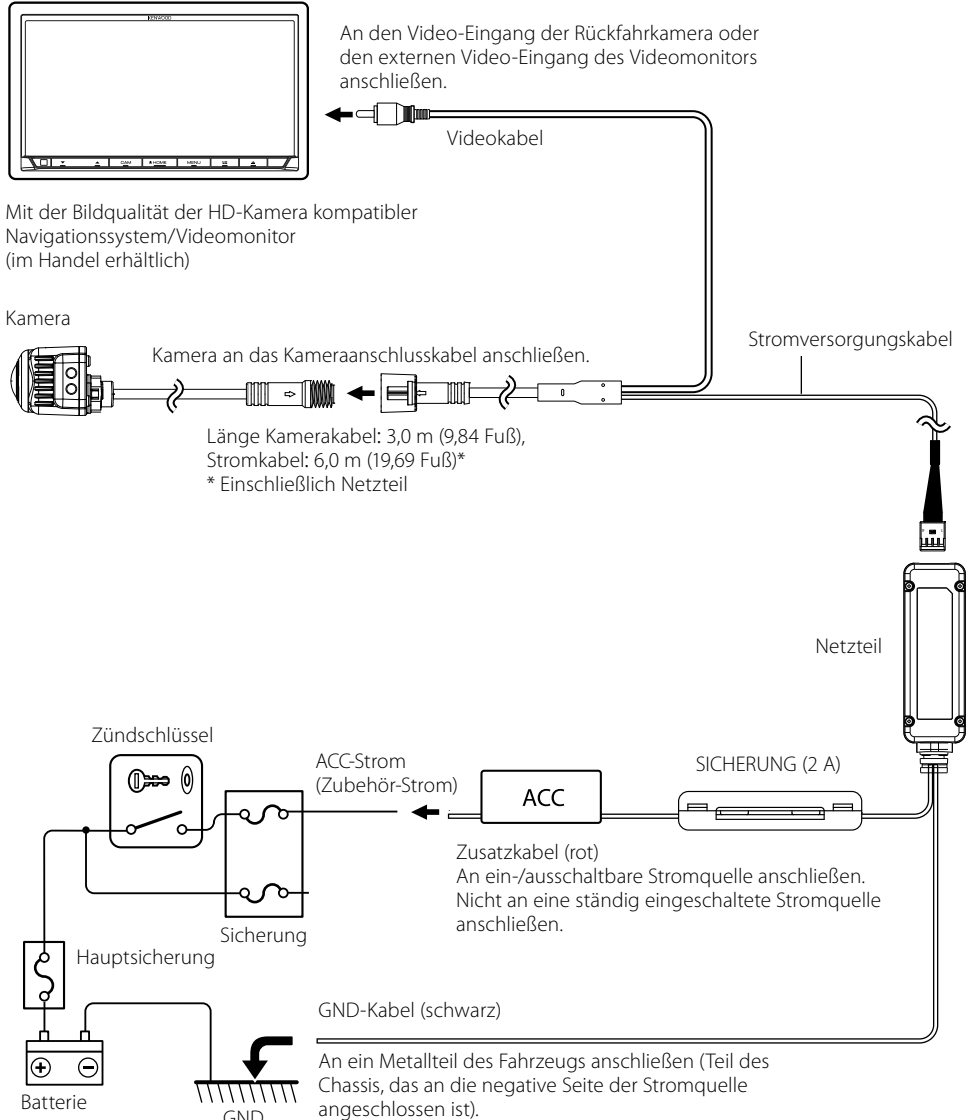


Anschlüsse

⚠️ ACHTUNG

- Wenn die Zündung Ihres Fahrzeugs keine ACC-Stellung hat, verzweigen Sie den Draht, der unter Spannung steht, wenn die Zündung eingeschaltet ist, und schließen Sie ihn an das Zubehör-Stromversorgungskabel an.
- Bevor Sie mit den Anschlüssen fortfahren, stellen Sie sicher, dass der Zündschlüssel nicht steckt und trennen Sie den Minuspol (⊖) von der Batterie ab, um Kurzschlüsse zu vermeiden.
- Biegen Sie das Kamerakabel nicht bis zu einem Durchmesser von 40 mm oder einen Radius von 20 mm oder weniger.

Grundanschlüsse



Technische Daten

Kameraeinheit

Objektiv

Weitwinkel,
Brennweite 1,86 mm,
F-Wert 2,0

Blickwinkel

: Horizontal: 180°
: Vertikal: 103°

Wasserdicht und staubdicht: IP67

Bildsensor: 1/3.8-Zoll-Farb-CCD-Sensor

Pixel-Anzahl

: 1,3 Megapixel

Objektbeleuchtung

: 1,0 Lux bis 100 k Lux

Auflösung: 1280 × 720

Bildrate: 30 fps

Ausgabe I/F: HD-TVI

Video-Ausgabe

: Weitwinkel-Spiegelbild (für rückwärtige Sicht)

Betriebstemperatur

: -30 °C bis +85 °C

Abmessungen (W × H × D)

: 31,1 × 23,0 × 25,2 mm
1-1/4 × 7/8 × 1 Zoll

Gewicht

: 33,2 g (1,2 oz)
(ohne Kabel)

Netzteil

Betriebsspannung: DC 12 V/24 V

Abmessungen (W × H × D)

: 69,2 × 23,6 × 15,5 mm
2-3/4 × 15/16 × 5/8 Zoll
(Ohne Vorsprünge)

- "Spiegelbild" bedeutet, dass auf dem Videobild genau wie im Rück- oder Seitenspiegel Links und Rechts umgekehrt wird.
- Die technischen Daten können ohne vorherige Ankündigung geändert werden.

Informationen zur Entsorgung von Elektro- und Elektronikaltgeräten (gültig für Länder, die getrennte Abfallsammelsysteme eingeführt haben)



Produkte mit dem Symbol (durchgestrichene Mülltonne) dürfen nicht über den Hausmüll entsorgt werden. Alte elektrische und elektronische Geräte sollten in einer Einrichtung recycelt werden, die in der Lage ist, diese Gegenstände und ihre Abfallnebenprodukte zu handhaben. Wenden Sie sich an Ihre örtliche Behörde, um Einzelheiten zur Suche nach einer Recycling-Einrichtung in Ihrer Nähe zu erfahren. Eine ordnungsgemäße Wiederverwertung und Abfallentsorgung trägt zur Schonung der Ressourcen bei und verhindert schädliche Auswirkungen auf unsere Gesundheit und Umwelt.

Voor gebruik/Installatieprocedure

⚠WAARSCHUWING

Neem de volgende voorzorgsmaatregelen om persoonlijk letsel of brand te voorkomen:

- Voorkom kortsluiting en steek derhalve nooit metalen voorwerpen (zoals munten en gereedschap) in het toestel.
- De installatie en bedrading van dit product moet worden uitgevoerd door een deskundig persoon. Laat een gespecialiseerd technicus het apparaat installeren zodat uw veiligheid niet in gevaar komt.
- Als u een gat maakt om de camera te installeren, zoek dan naar de locatie van leidingen, tanks en kabels en vermijd contact. Anders kan dit brand veroorzaken.
- Wanneer u met een boor een gaat maakt, dient u een bril te dragen om uw ogen te beschermen.

⚠OPGELET

Neem de volgende voorzorgsmaatregelen om schade aan het product te voorkomen:

- Zorg dat het apparaat geaard is aan een negatieve 12 V/24 V-gelijkstroomvoeding.
- Gebruik, bij het vervangen van een zekering, alleen een nieuwe zekering met de voorgeschreven waarde. Als u een verkeerde zekering gebruikt, kan er mogelijk een storing optreden in het apparaat.
- Gebruik bij het installeren uitsluitend de bijgeleverde schroeven. Gebruik uitsluitend de bij het toestel geleverde schroeven. Het toestel wordt mogelijk beschadigd door gebruik van andere schroeven.

OPMERKING

- Dit product is een camera die is spiegelbeelden weergeeft (links en rechts omgekeerd).
- De tv kan worden aangesloten op een RCA-videoingang die compatibel is met de beeldkwaliteit van een HD-camera, maar controleer of de tv die u gebruikt een omkeeractiveringsfunctie heeft.
- Dit product is ontworpen om de chauffeur te ondersteunen bij het achteruitrijden, maar de camerabeelden laten niet alle gevaren en obstakels zien. Kijk voor de zekerheid achter u bij het achteruitrijden.
- Dit product is uitgerust met een groothoeklens, dus het beeld dichtbij is breed en het beeld veraf is smal, waardoor een onjuist gevoel voor afstand kan ontstaan. Kijk voor de zekerheid achter u bij het achteruitrijden.
- Laat uw auto niet wassen in de autowasininstallatie of met water onder hoge druk aangezien dit ertoe kan leiden dat water de camera binnendringt of de camera op de grond valt.
- Controleer of de camerabeugel goed is bevestigd voordat u gaat rijden.
Zitten de schroeven los?
 - Zit de camerabeugel stevig vast?
 - Als de achteruitrijcamera tijdens het rijden losraakt, kan dit een ongeval veroorzaken.

- Voordat u het apparaat definitief installeert, sluit u eerst tijdelijk de draden aan om te controleren of alles goed is bevestigd en of de camera en het systeem werken.
- Bij het monteren van deze camera moet u ervoor zorgen dat er geen kabels tussen de camera en het omringende metaal of de aansluitingen bekneld raken.
- Monteer de camera niet in de buurt van de verwarmingsuitlaat, waar deze beschadigd kan raken door de warmte of bij de portieren, waar regenwater op de camera kan spatten. (Installeer de camera nooit op de bovengenoemde locaties vanwege het gevaar van storingen ten gevolge van hoge temperaturen.)
- Controleer, voordat u montagegaten gaat boren, altijd de plek achter de locatie waar u wilt gaan boren. Boor niet in de brandstofleiding, remleiding, elektrische bedrading of andere belangrijke onderdelen.
- Als de camera wordt geïnstalleerd in het interieur, verankert u deze stevig zodat het apparaat niet kan losraken terwijl het voertuig in beweging is en letsel of een ongeval kan veroorzaken.
- Als de camera onder een van de voorstoelen wordt gemonteerd, controleert u of deze stoel nog vooruit of achteruit kan worden verplaatst. Leid alle kabels en snoeren zorgvuldig rond het schuifmechanisme zodat zij niet bekneld kunnen raken in het mechanisme en kortsluiting veroorzaken.

Verzorging en onderhoud

- Als het product vuil wordt, neemt u het af met een siliconendoek of een zachte doek. Als het ernstig vervuild is, verwijdert u de vlek met een doekje dat bevochtigd is met een neutraal reinigingsmiddel en neemt u het reinigingsmiddel vervolgens af. Gebruik geen harde doeken en/of vluchtige vloeistof, zoals verdunner of alcohol. Deze kunnen krassen, vervormingen, aantastingen en/of schade veroorzaken.
- Wanneer een lensonderdeel vuil wordt, veegt u deze voorzichtig af met een zachte doek, bevochtigd met water. Niet met een droge doek wrijven om krassen op de lens te vermijden.

Installatieprocedure

Dit paragraaf is voor de professionele installateur. Voor de veiligheid dient u bedrading en montage over te laten aan professionals. Neem contact op met de autoradiodealer.

- 1** Voorkom kortsluiting door de sleutel uit het contactslot te halen en de ⊖ accu los te koppelen.
- 2** Verbind de juiste in- en uitgangskabels van elk toestel.
- 3** Sluit de draden in de kabelboom aan. Doe dit in de onderstaande volgorde: massa, ontsteking en cameratoestel.

4 Installeer het toestel in uw auto.

5 Sluit de \ominus accu weer aan.

⚠WAARSCHUWING

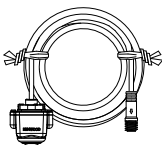
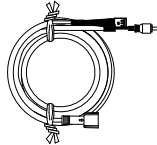

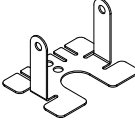


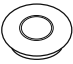

- Als u de ontstekingsdraad (rood) aansluit op het autochassis (aarde), kan er kortsluiting en vervolgens brand ontstaan. Sluit deze kabels altijd aan op de voedingsbron die via de zekeringkast loopt.
- Knip de zekering niet los van de ontstekingsdraad (rood). De voeding moet via de zekering worden aangesloten op de draden.

⚠OPGELET

- Als het contactslot van uw auto geen ACC-stand heeft, sluit u de ontstekingsdraad aan op een voedingsbron die met de contactsleutel kan worden in- en uitgeschakeld. Als u de ontstekingsdraad aansluit op een voedingsbron met een constante spanningsbron, zoals bij accukabels, raakt de accu mogelijk uitgeput.
- Als de zekering is doorgebrand, controleert u eerst of de kabels elkaar niet raken en zo een kortsluiting veroorzaken en vervangt u vervolgens de oude zekering door een nieuwe met dezelfde stroomsterkte.
- isoleer niet-aangesloten kabels met isolatieband of ander geschikt materiaal. Voorkom kortsluiting door de kapjes op de uiteinden van de niet-aangesloten kabels of aansluitingen niet te verwijderen.
- Controleer na het installeren van het toestel of de remlichten, richtingaanwijzers, ruitenwissers enz. van de auto juist functioneren.
- Installeer de camera zodanig dat het zicht door de achterruit niet wordt belemmerd.
- Installeer de camera zodanig dat deze niet aan de zijkant van de auto uitsteekt.
- Installeer de camera niet als het regent of mistig is.
- Als de luchtvochtigheid hoog is, droogt u het oppervlak af waarop de camera moet worden bevestigd, voordat u tot installatie overgaat.
- Vocht op het bevestigingsoppervlak vermindert de kleefkracht, waardoor de camera kan losschieten.
- Bevestig de camerabeugel niet op onderdelen van de carrosserie die zijn behandeld met fluorkoolstofhars of op glas.
- Dit kan tot gevolg hebben dat de achterruitrijcamera er af valt.
 - Giet geen water over de camera.
 - Stel de camera niet bloot aan regen.
 - Ga niet onnodig ruw om met de camera.
 - Maak de camera grondig schoon bij gebruik van tape om het apparaat vast te zetten.
- Raadpleeg de instructiehandleiding voor nadere details over het aansluiten van andere camera's en voer vervolgens de aansluiting op correcte wijze uit.

- Bevestig de draden met kabelklemmen of kleefband. Bescherm de bedrading door er kleefband omheen te wikkelen op plaatsen waar de bedrading metalen onderdelen raakt.
- Leid alle draden zodanig dat zij geen bewegende delen, zoals de versnellingspook, handrem of stoelrails, kunnen raken en zet ze vast.
- Leid de draden niet langs plekken die heet worden, zoals onder de verwarmingsuitlaat. Als de isolatie van de bedrading smelt of beschadigd raakt, bestaat er het gevaar dat de bedrading kortsluiting maakt tegen het chassis.
- Zorg er bij het vervangen van de zekering voor dat u alleen zekeringen gebruikt met de waarde die staat aangegeven op de zekeringhouder.
- U kunt de hoeveelheid ruis tot een minimum beperken door de kabel voor de televisieantenne, de kabel voor de radioantenne en de RCA-kabel zo ver mogelijk uit elkaar te plaatsen.
- Leg de snoeren dusdanig aan dat gebieden met hoge temperaturen worden vermeden. Gebruik ribbelbuizen voor bedrading in de motorruimte. Wanneer een draad contact maakt met een heet gedeelte van de auto, kan de mantel smelten en kortsluiting veroorzaken, wat kan leiden tot een brand of gevaar van elektrische schokken.

Accessoires

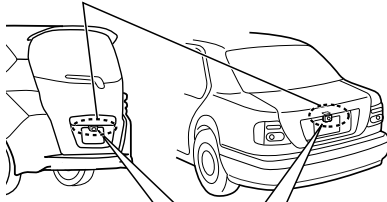
Camera (3,0 m).....1 	Voedingskabel (6,0 m ^[1]).....1 
Voedingseenheid.....1 	Camerbeugel.....1 
Schroef (M3 x 5 mm).....2 	Klemschroef camerabeugel (Ø3 x 8 mm).....1 
Tule.....1 	Band.....1 

[1] Inclusief de voedingseenheid

Installatie

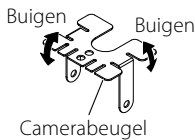
Aanbevolen inbouwpositie

Voorbeelden van correcte installatie van de camera aan de achterzijde van het voertuig
Inbouwpositie



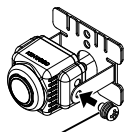
De camera inbouwen/de camerahoek afstellen

- 1** Bepaal de inbouwpositie van de camera.
- 2** Maak de inbouwpositie van de camera schoon.
Met behulp van een in de handel verkrijgbaar reinigingsmiddel verwijdert u vuil, vocht en olie van het oppervlak waarop de camerabeugel moet worden bevestigd.
- 3** Indien noodzakelijk, maakt u de camerabeugel los van de camera en past u de vorm aan het oppervlak aan waarop de beugel moet worden gemonteerd.



Pas de vorm van de camerabeugel aan, zodat hij afgesteld is op de inbouwpositie van de camera.

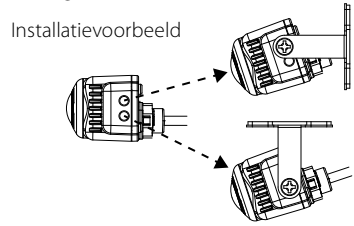
- 4** Monteer de camera op de camerabeugel.



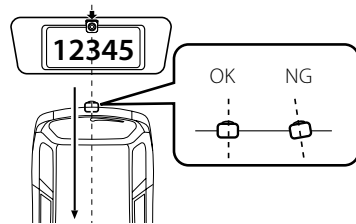
Schroef
(M3 x 5 mm)

Bevestig de camera met de schroef op de beugel. (2 locatie aan beide zijden)
Monteer de camera dusdanig, dat het "KENWOOD"-logo aan de bovenkant zichtbaar is.

De camera heeft twee bevestigingsgaten aan de zijkant aan de boven- en onderkant.
Pas aan volgens de installatie.



- 5** Zet de camera tijdelijk vast met tape o.i.d. Zet de camera tijdelijk vast met een stuk tape, enz.



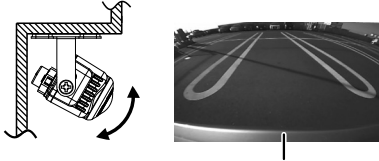
Plaats de camera in het midden van het voertuig en niet voor het nummerbord. En plaats hem ook recht in de voorwaartse/achterwaartse richting van het voertuig. Voorkom dat de camera in de andere richtingen van de auto enz. wordt gebogen.

- 6** Voer alle noodzakelijke aansluitingen uit.
- 7** Geef het videobeeld van de camera weer.
Voordat u de camera gaat bekijken, trekt u de handrem aan en blokkeert u de wielen, zodat de auto niet kan bewegen. Anders kan er een onverwacht ongeluk gebeuren.
Lees de instructiehandleiding van uw videobeeldscherm voor weergave van het camerabeeld.
Zet de transmissiehandel in de R-stand (achteruit) om het beeld aan de achterkant van de auto te laten weergeven.

8 Pas de hoek van de camera aan.

Tijdens het afstellen van de camerahoek moet u voorzichtig zijn om het camerasnoer niet uit te rekken.

Pas de hoek aan zodat de achterkant van het voertuig of de bumper te zien is aan de onderzijde van het beeldscherm.



Achterkant of achterbumper van de auto

9 Na het afstellen van de camerahoek draait u de bevestigingsschroeven stevig vast.

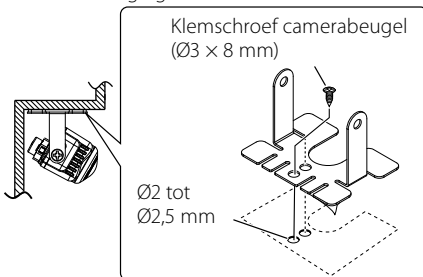
Controleer de bevestigingsschroeven periodiek. Als ze loszitten, draait u ze stevig vast.

10 Zet de camera stevig vast op zijn plaats.

Verwijder de papieren beschermstrook van de dubbelzijdig klevende tape op de camerabeugel en bevestig hem. Na bevestiging drukt u de camerabeugel met uw vingers aan zodat een goede hechting is gegarandeerd.

Raak het lijmooppervlak niet met uw handen aan en trek de bevestigde tape niet los en bevestig deze weer, omdat hierdoor de hechtkracht wordt verminderd en de camerabeugel los kan raken. Indien noodzakelijk, bevestigt u de beugel op de carrosserie met behulp van de klemschroef voor de camerabeugel.

De camerabeugel heeft twee gaten voor de schroef. Selecteer er een die past bij de positie van de bevestiging.

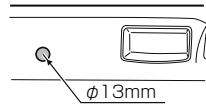


Het gebruik van een tule

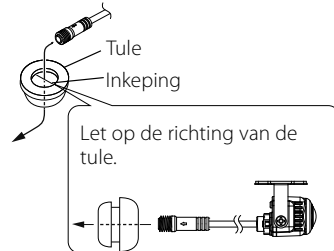
⚠OPGELET

- Wanneer u een gat boort in de carrosserie van de auto om de camera te monteren, zoek dan naar de locatie van leidingen, tanks, bedrading, enz. om er zeker van te zijn dat u deze niet zult raken. Doet u dit niet, dan kan dit leiden tot brand, elektrische schokken of storingen.
- Zorg er als u moet boren voor dat u een veiligheidsbril draagt om te voorkomen dat spaanders en vuil in uw ogen terecht komt. Anders bestaat er een risico op letsel.

1 Boor een gat van Ø13 voor de bedrading.



2 Maak een inkeping in de meegeleverde tule en voer de kabelaansluiting op de camera hier doorheen.



3 Maak het gebied rond de tule aan de binnenzijde van de achterklep waterdicht met een afdichtingsmiddel of iets dergelijk dat in de handel verkrijgbaar is.

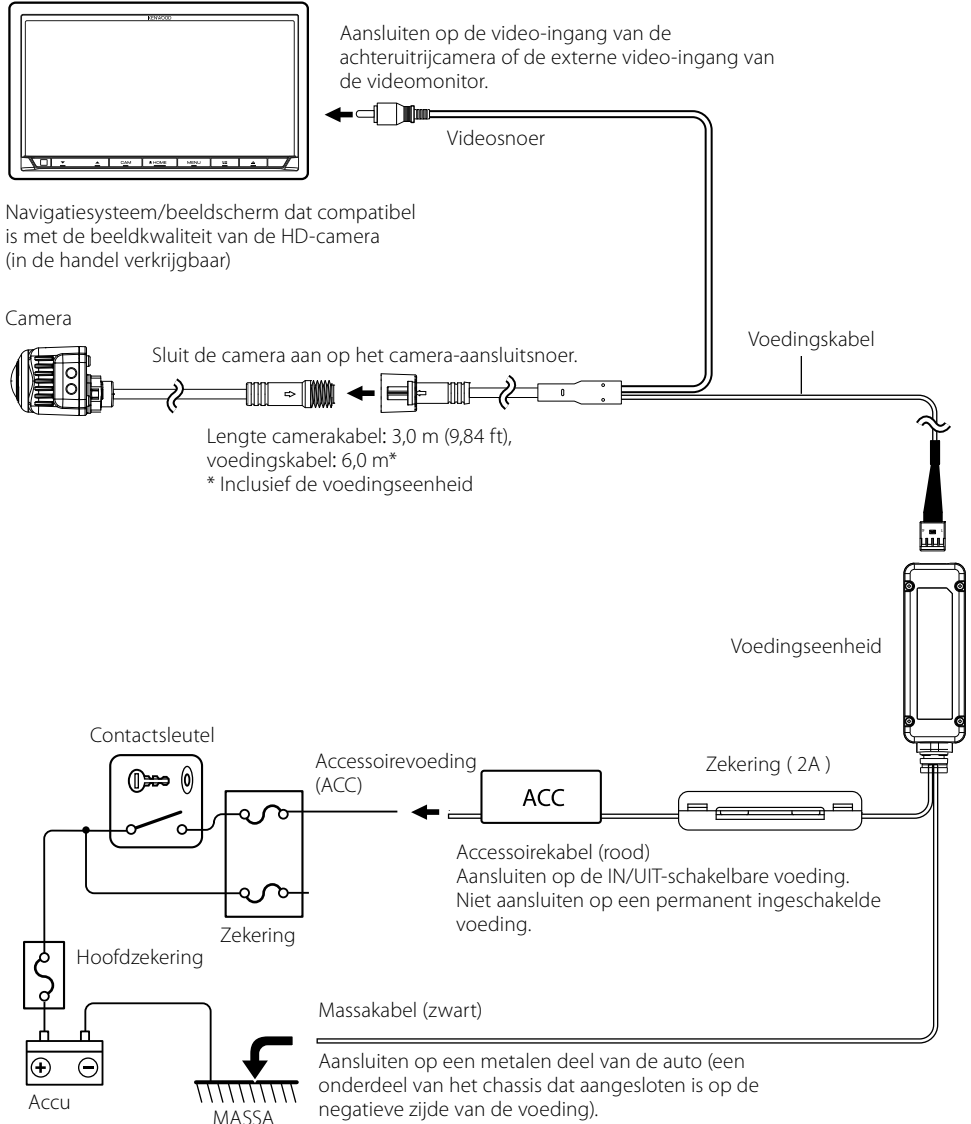


Aansluitingen

⚠ OPGELET

- Wanneer het contactslot van uw auto geen ACC-stand kent, takt u de draad af die van spanning wordt voorzien wanneer het contactslot in de stand ON staat en sluit u deze aan op de accessoirevoedingsdraad.
- Voordat u verdergaat, controleert u of de contactsleutel niet in het contactslot is gestoken en koppelt u de massakabel (⊖) los bij de accu om kortsluitingen te vermijden.
- Buig de kabel van de camera niet tot een diameter van 40 mm of een radius van 20 mm of minder.

Basisaansluitingen



Technische gegevens

Camera

Lens

Groothoek,
brandpuntsafstand 1,86 mm,
F-waarde 2,0

Gezichtshoeken

: Horizontaal: 180°
: Verticaal: 103°

Water- en stofdicht: IP67

Beeldsensor: 1/3,8"-kleuren-CMOS-sensor

Aantal pixels

: 1,3 megapixels

Objectverlichtingssterkte

: 1,0 lux tot 100 k lux

Resolutie: 1280 × 720

Beeldsnelheid: 30 fps

Output I/F: HD-TVI

Video-output

: Gespiegeld groothoekbeeld (voor
achteruitbeeld)

Bedrijfstemperatuur

: -30 °C tot +85 °C

Afmetingen (B × H × D)

: 31,1 × 23,0 × 25,2 mm
1-1/4 × 7/8 × 1 inch

Gewicht

: 33,2 g (1,2 oz)
(zonder kabel)

Voedingseenheid

Werkspanning: DC 12 V/24 V

Afmetingen (B × H × D)

: 69,2 × 23,6 × 15,5 mm
2-3/4 × 15/16 × 5/8 inch
(exclusief uitstekende delen)

- Gespiegeld beeld houdt in dat het videobeeld links en rechts omdraait, net zoals het beeld dat gezien wordt in een achteruitkijk- of een zijspiegel.
- Specificaties kunnen zonder kennisgeving worden gewijzigd.

Informatie over het weggooiën van elektrische en elektronische apparatuur (voor landen die gescheiden afvalverzamelingsystemen gebruiken)



Producten met dit symbool (doorkruiste vuilnisbak) kunnen niet als gewoon huisvuil worden weggegooid.

Oude elektrische en elektronische apparaten moeten worden gerecycled bij een voorziening die in staat is om deze items en hun afvalbijproducten te hanteren. Raadpleeg de lokale betreffende instantie voor details aangaande een geschikte recycle-faciliteit in uw buurt.

Het juist recyclen en weggooiën van afval spaart natuurlijke bronnen en reduceert schadelijke invloed op uw gezondheid en het milieu.

Prima dell'uso / procedura di installazione

AVVERTENZA

Per evitare lesioni o incendi, osservare le seguenti precauzioni:

- Per evitare cortocircuiti, non inserire mai oggetti di metallo (come monete o strumenti di metallo) all'interno dell'unità.
- L'installazione e il cablaggio di questo prodotto richiedono esperienza e conoscenze specialistiche. Per ragioni di sicurezza, l'installazione dell'unità deve essere quindi effettuata da un tecnico specializzato.
- Quando si effettua un foro per installare la telecamera, controllare l'ubicazione di tubi, serbatoi e cablaggio ed evitare di toccarli. In caso contrario, si potrebbe provocare un incendio.
- Quando si effettua un foro con un trapano, utilizzare occhiali di protezione per proteggere gli occhi.

ATTENZIONE

Per non danneggiare il prodotto, adottare le seguenti precauzioni:

- Alimentare l'unità esclusivamente con una tensione nominale di 12 V/24 V CC, con polo negativo a massa.
- Se un fusibile deve essere sostituito, utilizzarne uno nuovo con la portata prescritta. L'utilizzo di un fusibile con una portata errata può provocare il malfunzionamento dell'unità.
- Non usare viti diverse da quelle in dotazione. Utilizzare solo le viti fornite in dotazione. L'uso di viti non idonee, potrebbe danneggiare l'unità.

NOTA

- Questo prodotto è una telecamera che fornisce immagini speculari (lati sinistro e destro invertiti).
- Il televisore può essere collegato a un ingresso video RCA che è compatibile con la qualità dell'immagine di una telecamera HD, tuttavia controllare se il televisore in uso è dotato di una funzione di attivazione in retromarcia.
- Questo prodotto è stato studiato per ampliare il campo visivo posteriore del conducente, anche se le immagini della telecamera non sono in grado di indicare tutti gli eventuali pericoli e ostacoli. Durante la retromarcia, guardare quindi indietro per verificare personalmente il campo visivo.
- Questo prodotto è caratterizzato da un obiettivo grandangolare che fa sì che il campo visivo vicino sembri largo e quello lontano stretto, creando una falsa prospettiva della distanza. Durante la retromarcia, guardare quindi indietro per verificare personalmente il campo visivo.
- Non lavare l'auto in un autolavaggio automatico e non utilizzare un getto ad alta pressione dato che l'acqua potrebbe infiltrarsi nella telecamera o la telecamera potrebbe cadere.

- Prima di partire, controllare che la staffa della telecamera sia stata installata correttamente.
Le viti sono allentate?
 - La staffa della telecamera è fissata saldamente?
 - Se la telecamera per retromarcia si stacca durante la guida del veicolo, potrebbe verificarsi un incidente.
- Prima di installare l'unità, collegare provvisoriamente il cablaggio, assicurarsi che tutto sia collegato correttamente e che sia l'unità sia il sistema funzionino.
- Durante il montaggio dell'unità, assicurarsi che nessun cavo sia bloccato tra l'unità e la struttura metallica o i raccordi circostanti.
- Non montare questa unità vicino alle bocche del riscaldamento, dove potrebbe essere danneggiata dal calore, o vicino a porte da cui potrebbe entrare pioggia. (Non installare il dispositivo in punti simili a quelli indicati in precedenza che potrebbero provocare malfunzionamenti dovuti a temperature elevate.)
- Prima di effettuare i fori per il montaggio, controllare sempre il retro della superficie che si desidera forare. Non eseguire i fori sui tubi del gas, sulle tubazioni dei freni, sui cavi elettrici o su altre parti importanti.
- Se questa unità è installata nel vano passeggeri, fissarla saldamente in modo che non si muova quando l'auto è in movimento, provocando lesioni o incidenti.
- Se questa unità è installata sotto uno dei sedili anteriori, assicurarsi che non ostacoli il movimento del sedile. Disporre attentamente tutti i fili e i cavi intorno al meccanismo di scorrimento in modo che non vengano pizzicati o schiacciati, provocando un cortocircuito.

Cura e manutenzione

- Se il prodotto si sporca, pulirlo con un panno al silicone o con un panno morbido. Se è molto macchiato, rimuovere le macchie con un panno imbevuto di un detergente neutro, quindi ripassare con un panno asciutto. Non usare un panno ruvido e/o sostanze volatili come diluenti o alcol per evitare graffi, deformazione, degrado e/o danni.
- Se un componente della lente si sporca, pulirlo delicatamente con un panno morbido inumidito con acqua. Non usare un panno asciutto per evitare di graffiare la lente.

Procedura di installazione

Questa sezione è rivolta all'installatore qualificato. Per motivi di sicurezza, affidare il cablaggio e il montaggio a dei professionisti. Consultare il rivenditore di apparecchiature audio per automobili.

- 1** Per prevenire cortocircuiti, rimuovere la chiave di accensione e scollegare la batteria ⊖.
- 2** Eseguire correttamente i collegamenti dei cavi di ingresso ed uscita per ogni unità.

3 Collegare i cavi del cablaggio nel seguente ordine: massa, accensione e unità telecamera.

4 Installare l'unità sul veicolo.

5 Ricollegare la  batteria.

AVVERTENZA

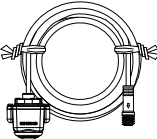
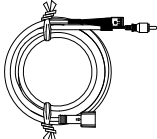

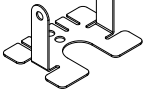




- Se si collega il cavo dell'accensione (rosso) al telaio (massa), può verificarsi un cortocircuito che, a sua volta, potrebbe provocare un incendio. Questi cavi devono essere collegati alla sorgente di alimentazione attraverso la scatola dei fusibili.
- Non scollegare il fusibile dal cavo dell'accensione (rosso). I cavi devono essere collegati all'alimentazione tramite il fusibile.

ATTENZIONE

- Se l'auto non ha una posizione ACC, collegare i cavi dell'accensione ad un'alimentazione che può essere accesa/spenta con la chiave di accensione. Se il cavo dell'accensione viene collegato con una tensione di alimentazione permanente, come per esempio i cavi della batteria, la batteria può scaricarsi.
- Se un fusibile salta, assicurarsi innanzitutto che i cavi non siano in contatto, con la possibilità di provocare un cortocircuito, quindi sostituire il vecchio fusibile con uno nuovo della stessa potenza.
- Isolare i cavi non collegati con del nastro isolante in vinile o un altro materiale simile. Per prevenire cortocircuiti, non rimuovere i cappucci alle estremità dei cavi non collegati o dei terminali.
- Dopo aver installato l'unità, controllare che le luci dei freni, i lampeggianti, i tergicristalli ecc. del veicolo funzionino correttamente.
- Installare l'unità in modo che non oscuri il campo visivo posteriore.
- Installare l'unità in modo che non sporga dalla fiancata dell'auto.
- Non eseguire l'installazione in caso di pioggia o di nebbia.
- In caso di forte umidità, prima di installare l'unità, asciugare la superficie sulla quale deve essere montata.
- La presenza di umidità sulla superficie di montaggio riduce l'aderenza, rischiando di provocare il distacco dell'unità.
- Non fissare la staffa della telecamera in punti in cui la carrozzeria è stata trattata con resina fluorocarbonica o sul vetro.
- La telecamera per la retromarcia potrebbe cadere.
 - Impedire che l'unità entri a contatto con acqua.
 - Non esporre l'unità alla pioggia.
 - Non sottoporre la telecamera a sollecitazioni inutili.
 - Pulire a fondo il punto in cui viene applicato il nastro per attaccare l'unità.

- Per ulteriori dettagli sul collegamento di altre unità, fare riferimento alle istruzioni per l'uso e poi eseguire correttamente i collegamenti.
- Fissare il cablaggio con graffette fermacavo o nastro adesivo. Per proteggere il cablaggio, avvolgere i cavi con del nastro adesivo nei punti in cui sono a contatto con parti in metallo.
- Posare e fissare tutti i cavi in modo che non vengano a contatto con parti in movimento come ad esempio il cambio, il freno a mano e le guide dei sedili.
- Non posare i cavi in punti che possono surriscaldarsi, come ad esempio vicino alle bocchette del riscaldamento. Se l'isolamento dei cavi si fonde o si lacerà, può verificarsi un cortocircuito verso la carrozzeria.
- In caso di sostituzione di un fusibile, assicurarsi di utilizzare solo fusibili con la portata indicata sul portafusibili.
- Per ridurre al minimo i rumori, posare il cavo dell'antenna TV, il cavo dell'antenna della radio e il cavo RCA il più possibile distanziati tra loro.
- Posare i cavi evitando aree ad alta temperatura. Usare tubi corrugati per il cablaggio all'interno del vano motore. Se un cavo si trova in un'area ad alta temperatura del veicolo, il rivestimento potrebbe fondersi e provocare cortocircuiti, con il conseguente rischio di incendio o scosse elettriche.

Accessori

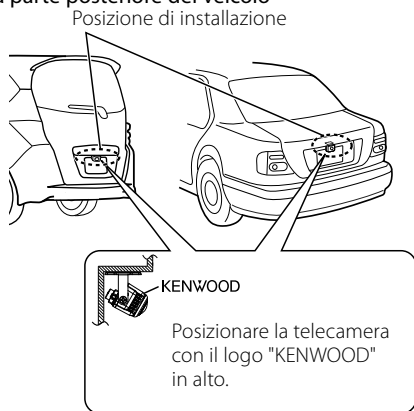
Telecamera (3,0 m).....1 	Cavo di alimentazione (6,0 m ^[1]).....1 
Unità di alimentazione.....1 	Staffa telecamera.....1 
Vite (M3 x 5 mm).....2 	Vite di fissaggio della staffa della telecamera (Ø3 x 8 mm)..... 1 
Anello di tenuta..... 1 	Fascetta.....1 

[1] Inclusa l'unità di alimentazione

Installazione

Posizione di installazione consigliata

Esempi di installazione corretta della telecamera sulla parte posteriore del veicolo



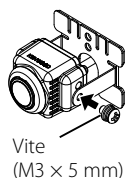
Installazione della telecamera/regolazione dell'angolazione

- 1 Stabilire la posizione di installazione della telecamera.
- 2 Pulire la superficie su cui verrà installata la telecamera.
Utilizzando un comune detergente disponibile in commercio, rimuovere lo sporco, l'umidità e l'olio dalla superficie su cui dovrà essere fissata la staffa della telecamera.
- 3 Se necessario, staccare la staffa dalla telecamera e adattare la forma in base alla superficie su cui verrà applicata.



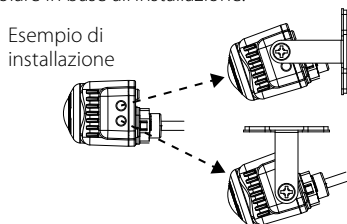
Adattare la forma della staffa della telecamera in modo che sia adatta per la posizione di installazione della telecamera.

- 4 Montare la telecamera sulla relativa staffa.



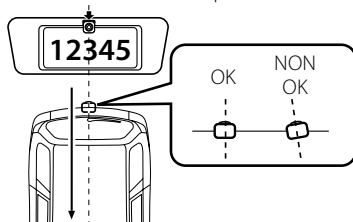
Fissare la telecamera alla staffa telecamera con la vite di fissaggio. (2 posizioni su ciascun lato)
Posizionare la telecamera con il logo "KENWOOD" in alto.

La telecamera è dotata di due fori di fissaggio lateralmente in alto e in basso. Regolare in base all'installazione.



- 5 Fissare temporaneamente la telecamera ad esempio con nastro.

Utilizzando un pezzo di nastro adesivo, ecc., fissare la telecamera temporaneamente.



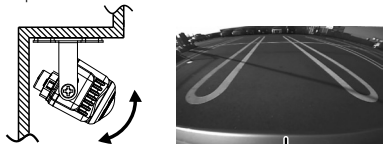
Installare la telecamera al centro del veicolo senza nascondere la targa. E installare anche diritta verso la direzione avanti/indietro del veicolo. Prestare attenzione a non orientare la telecamera in altre direzioni.

- 6 Eseguire tutti i collegamenti richiesti.
- 7 Visualizzare il video della telecamera.
Prima di guardare l'immagine della telecamera, applicare il freno di stazionamento e fermare le ruote per impedire che il veicolo si muova. In caso contrario potrebbero verificarsi incidenti. Per visualizzare il video della telecamera, leggere il manuale di istruzioni del monitor video. Porta la leva del cambio in posizione R (retromarcia) per visualizzare l'immagine della parte dietro il veicolo.

8 Regolare l'angolazione della telecamera.

Durante la regolazione dell'angolazione della telecamera, prestare attenzione a non tirare il cavo della telecamera.

Regolare l'angolazione in modo che la parte posteriore del veicolo o il paraurti siano visibili nella parte inferiore del monitor.



Parte posteriore o paraurti del veicolo

9 Dopo aver regolato l'angolazione della telecamera, serrare saldamente le viti di fissaggio.

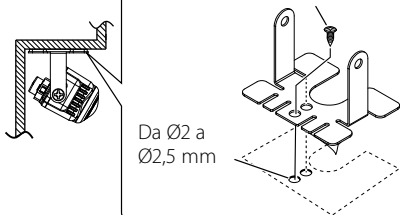
Di tanto in tanto controllare le viti di fissaggio. Se sono allentate, riserrarle.

10 Fissare la telecamera saldamente in posizione.

Rimuovere la carta di protezione del biadesivo dalla staffa della telecamera, quindi posizionare la staffa. Dopo averla posizionata, premere la staffa con le dita per garantire una corretta adesione. Non toccare la superficie adesiva con le mani e non staccare e riattaccare il nastro; in questo modo si riduce la forza adesiva e si rischia di provocare il distacco della staffa della telecamera. Se necessario, fissare la staffa alla carrozzeria usando la vite di fissaggio.

La staffa telecamera è dotata di due fori per le viti. Selezionare uno di questi per fissare la posizione di collegamento.

Vite di fissaggio della staffa della telecamera ($\varnothing 3 \times 8$ mm)



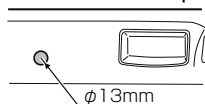
Da $\varnothing 2$ a $\varnothing 2,5$ mm

Uso di un anello di tenuta

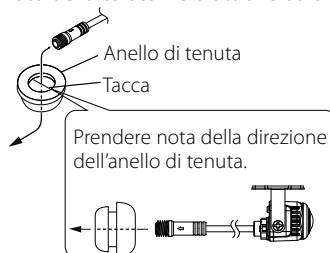
⚠ATTENZIONE

- Quando si pratica un foro nella carrozzeria dell'automobile per montare la telecamera, controllare le posizioni delle linee dei fluidi, di serbatoi, cavi elettrici, ecc., per assicurarsi che non ci saranno interferenze o contatti con questi. In caso contrario, si potrebbero causare incendi, scosse elettriche o malfunzionamenti.
- Se è necessario eseguire lavori di foratura, assicurarsi di indossare un paio di occhiali di protezione per evitare che schegge e residui penetrino negli occhi. In caso contrario, vi è il rischio di lesioni.

1 Praticare un foro di $\varnothing 13$ mm per il cablaggio.



2 Praticare una tacca nell'anello di tenuta in dotazione e far passare il connettore del cavo sul lato della telecamera attraverso di esso.



3 Sigillare l'area dell'anello di tenuta sul lato interno del portellone posteriore con un sigillante o un prodotto simile disponibile in commercio.

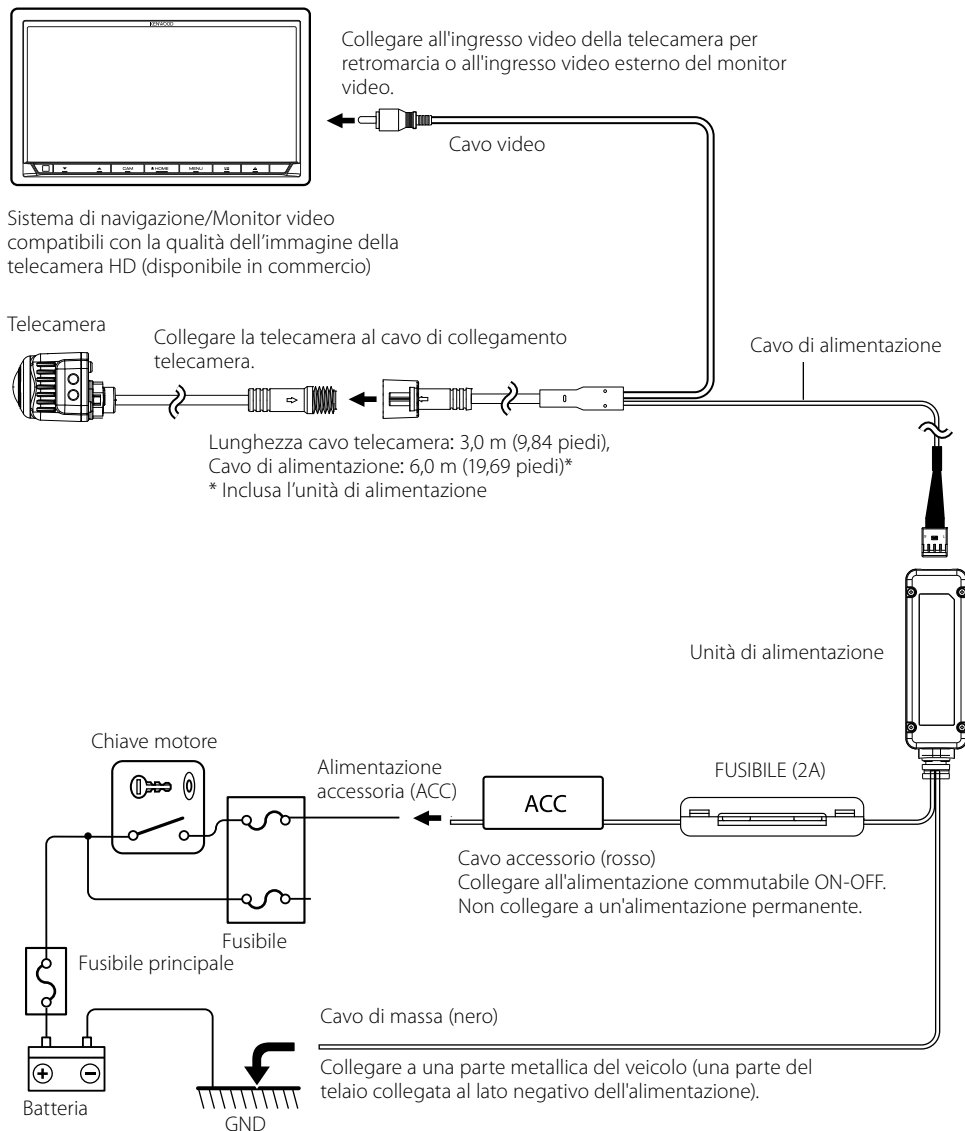


Collegamenti

⚠ATTENZIONE

- Se la chiave motore del veicolo non è dotata di posizione ACC, diramare il filo energizzato quando la chiave motore è ON e collegarlo al cavo di alimentazione accessorio.
- Prima di eseguire i collegamenti, assicurarsi che la chiave motore non sia inserita e scollegare il terminale (⊖) della batteria per prevenire cortocircuiti.
- Non piegare il cavo telecamera a un diametro di 40 mm o a un raggio di 20 mm o meno.

Collegamenti di base



Specifiche

Unità telecamera

Obiettivo

Grandangolo,
lunghezza focale 1,86 mm,
valore F 2,0

Angolo della visuale

: orizzontale: 180°
: verticale: 103°

Resistenza all'acqua e alla polvere: IP67

Sensore di immagine

: sensore CMOS a colori 1/3.8"

Numero di pixel

: 1,3 mega pixel

Illuminamento dell'oggetto

: da 1,0 lux a 100 k lux

Risoluzione: 1280 × 720

Frequenza fotogrammi: 30 fps

I/F uscita: HD-TVI

Uscita video

: immagine specchio grandangolo (per la retromarcia)

Temperatura di esercizio

: da -30 °C a +85 °C

Dimensioni (L × A × P)

: 31,1 × 23,0 × 25,2 mm
1-1/4 × 7/8 × 1 pollice

Peso

: 33,2 g (1,2 once)
(senza cavo)

Unità di alimentazione

Tensione di esercizio: CC 12 V/24 V

Dimensioni (L × A × P)

: 69,2 × 23,6 × 15,5 mm
2-3/4 × 15/16 × 5/8 pollici
(escluse le parti sporgenti)

- Nelle immagini a specchio, l'immagine viene invertita da sinistra a destra, proprio come l'immagine che si vede sullo specchietto retrovisore interno o su quelli laterali.
- Le specifiche sono soggette a modifiche senza preavviso.

Informazioni sullo smaltimento delle apparecchiature elettriche ed elettroniche usate (valide per i Paesi che hanno adottato sistemi di raccolta differenziata)



I prodotti recanti questo simbolo (un contenitore di spazzatura su ruote barrato) non possono essere smaltiti insieme ai normali rifiuti domestici.

I prodotti elettrici ed elettronici usati devono essere riciclati presso una apposita struttura in grado di trattare questi prodotti e i loro componenti di scarto.

Contattare le autorità locali per conoscere i dettagli sulla posizione della struttura di riciclo più vicina.

Un riciclo e uno smaltimento dei rifiuti corretti aiutano a conservare le risorse e a prevenire gli effetti nocivi sulla salute e sull'ambiente.

Antes de utilizar/procedimiento de instalación

⚠️ ADVERTENCIA

Para evitar lesiones o incendios, tome las precauciones siguientes:

- Para evitar cortocircuitos, nunca coloque ni deje objetos metálicos (por ejemplo, monedas o herramientas metálicas) dentro de la unidad.
- La instalación y el tendido de cables de esta unidad requieren de la habilidad y experiencia de un especialista. Por motivos de seguridad, pida a un técnico especialista que instale la unidad.
- Cuando haga un agujero para instalar la cámara, compruebe la ubicación de las tuberías, depósitos y cableado y evite tocarlos. De lo contrario, podría causar un incendio.
- Cuando usted haga un orificio con un taladro, utilice gafas protectoras para proteger sus ojos.

⚠️ PRECAUCIÓN

Para evitar daños en la unidad, tome las siguientes precauciones:

- Asegúrese de utilizar para la unidad una fuente de alimentación de 12 V/24 V CC con conexión a tierra negativa.
- Cuando reemplace un fusible, utilice únicamente un fusible nuevo del régimen prescrito. El uso de un fusible de régimen incorrecto podría ocasionar un funcionamiento defectuoso de la unidad.
- No utilice sus propios tornillos. Utilice solo los tornillos suministrados. El uso de tornillos diferentes podría causar daños en la unidad.

NOTA

- Este producto es una cámara que proporciona imágenes de espejo (con los lados izquierdo y derecho invertidos).
- La televisión se puede conectar a una entrada de video RCA que sea compatible con la calidad de imagen de la cámara HD, pero compruebe si la televisión que utiliza tiene una función de activación de marcha atrás.
- Esta unidad está diseñada para complementar la vista trasera del conductor, pero las imágenes de la cámara no muestran todos los peligros y obstáculos. Asegúrese de mirar hacia atrás cuando vaya marcha atrás para confirmar la vista.
- Esta unidad posee un objetivo gran angular, de forma que la vista cercana es ancha y la vista lejana es estrecha, lo cual puede crear una sensación de distancia falsa. Asegúrese de mirar hacia atrás cuando vaya marcha atrás para confirmar la vista.
- No lave su automóvil en una máquina automática ni con agua a presión puesto que podría entrar agua en la cámara o ésta podría caerse.
- Compruebe la instalación de la abrazadera de la cámara antes de comenzar a conducir.
¿Están los tornillos sueltos?
 - ¿Está la abrazadera de la cámara firmemente asegurada?
 - Si la cámara de vista trasera se afloja mientras conduce puede causar un accidente.

- Antes de instalar la unidad definitivamente, conecte el tendido de cables temporalmente, asegurándose de que esté todo debidamente conectado y de que la unidad y el sistema funcionen.
- Al montar esta unidad, asegúrese de que ninguno de los cables quede atrapado entre la unidad y los alrededores de la carrocería o accesorios.
- No monte esta unidad cerca de la salida del calentador, donde se vería afectada por el calor o cerca de las puertas donde la lluvia podría salpicarla. (No instalarlo nunca en lugares tales como los descritos anteriormente debido al peligro por mal funcionamiento por las altas temperaturas).
- Antes de perforar los agujeros de montaje, mire siempre detrás del lugar donde quiera perforar los agujeros. No haga ningún agujero en los tubos del sistema de la gasolina, frenado, tendido de cables eléctrico u otras partes importantes.
- Si se instala esta unidad en el compartimento del pasajero, afíncela bien de forma que no se suelte mientras el automóvil esté en movimiento para que no cause lesiones o un accidente.
- Si se instala la unidad debajo de un asiento delantero, asegúrese de que no obstaculice el movimiento del asiento. Coloque todos los cables alrededor del mecanismo deslizante para que no queden atrapados en el mecanismo y causen un cortocircuito.

Cuidado y mantenimiento

- Si la unidad se ensucia, séquela con un paño de silicona o un paño suave. Si tiene manchas difíciles, elimínelas con un paño humedecido con jabón neutro y elimine los restos de jabón. No utilice un paño áspero ni sustancias volátiles como un diluyente con barniz o alcohol, ya que la unidad podría rayarse, deformarse, degradarse y/o sufrir daños.
- Cuando el componente de un objetivo se ensucie, límpielo suavemente con un paño suave humedecido con agua. No lo frote con un paño seco, ya que el objetivo podría rayarse.

Procedimiento de instalación

Esta sección es solo para el instalador profesional. Por motivos de seguridad, deje el cableado y el montaje a profesionales. Consulte con el distribuidor de audio para automóviles.

- 1** Para prevenir cortocircuitos, retire la llave de encendido y desconecte la batería ⊖.
- 2** Realice las conexiones de los cables de entrada y salida adecuadas para cada unidad.
- 3** Conecte los cables del mazo de cables en el siguiente orden: cable a tierra, encendido y unidad de la cámara.
- 4** Instale la unidad en su automóvil.
- 5** Conecte nuevamente la batería ⊖.

⚠️ ADVERTENCIA

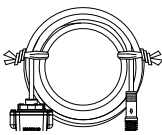
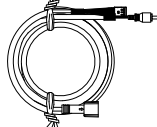

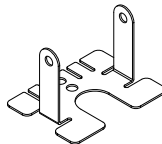




- Si conecta el cable del encendido (rojo) al chasis del automóvil (a tierra), puede dar lugar a un cortocircuito pudiendo causar un incendio. Conecte siempre esos cables a la fuente de alimentación que pasa por la caja de fusibles.
- No desconecte el fusible desde el cable de encendido (rojo). El suministro de alimentación debe estar conectado a los cables a través del fusible.

⚠️ PRECAUCIÓN

- Si el encendido de su automóvil no dispone de posición CA, conecte los cables de encendido a la fuente de alimentación que pueda activarse y desactivarse con la llave de encendido. Si conecta el cable de encendido a una fuente de alimentación con un suministro de voltaje constante, como con los cables de la batería, la batería puede agotarse.
- Si se funde el fusible, en primer lugar asegúrese de que los cables no hayan causado un cortocircuito, y luego reemplace el fusible usado por otro del mismo régimen.
- Enrolle los cables no conectados con una cinta de vinilo u otro material similar para que queden aislados. Para evitar cortocircuitos, no retire las tapas de los extremos de los cables o terminales no conectados.
- Después de instalar la unidad, compruebe que las lámparas de freno, las luces intermitentes, el limpiaparabrisas, etc. funcionen satisfactoriamente.
- Instale la unidad de forma que no obstruya el campo de vista trasero.
- Instale la unidad de forma que no sobresalga por el costado del automóvil.
- No lleve a cabo la instalación cuando llueva o haya niebla.
- Si hay mucha humedad, seque la superficie donde se colocará la unidad antes de realizar la instalación.
- La humedad en la superficie del dispositivo de sujeción reduce la fuerza adhesiva, y la unidad podría soltarse.
- No coloque la abrazadera de la cámara en áreas de la carrocería del automóvil que hayan sido tratadas con resina fluorocarbonada o cristal.
- Podría provocar que la cámara de vista trasera se caiga.
 - No aplique agua a la unidad.
 - No exponga la unidad a la lluvia.
 - No someta la cámara a fuerza innecesaria.
 - Limpie bien donde se haya utilizado cinta adhesiva para pegar en la unidad.
- Remítase al Manual de instrucciones para más detalles sobre la conexión de otras unidades; luego, realice las conexiones correctamente.
- Asegure el tendido de cables con abrazaderas de cable o cinta adhesiva. Para proteger el tendido de cables, póngales cinta adhesiva alrededor contra partes metálicas.
- Coloque y asegure todo el tendido de cables de forma que no pueda tocar ninguna parte en movimiento, tal como el eje de engranajes, freno de mano y los raíles del asiento.

- No coloque el tendido de cables en lugares que se calientan, tales como la salida del calentador. Si el aislamiento del tendido de cables se derrite o se rompe, hay peligro de cortocircuito del tendido de cables con la carrocería.
- Cuando reemplace un fusible, asegúrese de utilizar únicamente un fusible del régimen prescrito en el portafusibles.
- Para minimizar el ruido coloque el cable de la antena de TV, de la antena de radio y del RCA lo más lejos posible uno del otro.
- Tienda los cables evitando las áreas con altas temperaturas. Utilice tubos acanalados para cablear los cables dentro del compartimiento del motor. Si un cable entra en contacto con una zona del vehículo que está a alta temperatura, el revestimiento podría derretirse y provocar un cortocircuito, lo que podría provocar un incendio o peligro de descarga eléctrica.

Accesorios

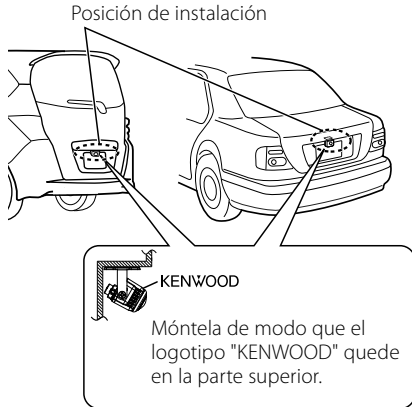
Cámara (3,0 m).....1 	Cable de alimentación (6,0 m ^[1]).....1 
Unidad de alimentación.....1 	Abrazadera de la cámara.....1 
Tornillo (M3 x 5 mm).....2 	Tornillo de apriete de la abrazadera de la cámara (Ø3 x 8 mm).....1 
Ojal.....1 	Banda.....1 

[1] Incluyendo la unidad de alimentación

Instalación

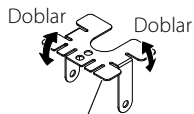
Posición de instalación recomendada

Ejemplos de instalación correcta de la cámara en la parte trasera del vehículo



Instalación de la cámara/ajuste de su ángulo

- 1 Decida cuál será la posición de instalación de la cámara.
- 2 Limpie la superficie de instalación de la cámara.
Utilizando un jabón disponible en el mercado, limpie la suciedad, la humedad y el aceite de la superficie donde acoplará la abrazadera de la cámara.
- 3 Si es necesario, separe la abrazadera de la cámara y ajuste su forma según la superficie donde se acoplará.



Ajuste la forma de la abrazadera de la cámara de modo que se acople a la posición de instalación de la cámara.

Abrazadera de la cámara

- 4 Monte la cámara sobre la abrazadera.

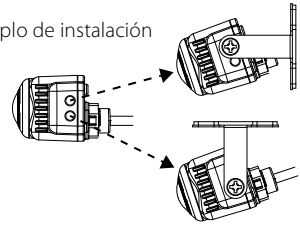


Tornillo
(M3 x 5 mm)

Asegure la cámara sobre la abrazadera de la cámara con el tornillo de montaje. (2 ubicaciones en cada lado)
Móntela de modo que el logotipo "KENWOOD" quede en la parte superior.

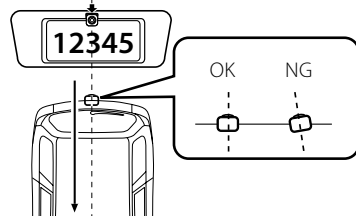
La cámara cuenta con dos orificios de seguridad en los lados y en la parte superior e inferior. Ajuste de acuerdo con el manual de instalación.

Ejemplo de instalación



- 5 Fije la cámara provisionalmente con cinta o un material similar.

Usando un trozo de cinta, etc., fije la cámara temporalmente.



Instale la cámara en el centro del vehículo y no oculte la matrícula. Y también instale directamente hacia la dirección de avance/retroceso del vehículo. Procure no inclinar la cámara hacia otras direcciones del vehículo, etc.

- 6 Realice todas las conexiones necesarias.

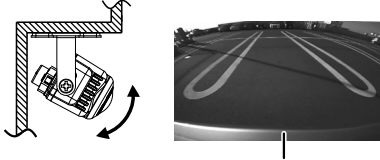
- 7 Muestre la cámara de vídeo.

Antes de ver la cámara, aplique el freno de estacionamiento y ponga una cuña en las ruedas para que el vehículo permanezca inmóvil. Si no lo hace, podría producirse un accidente inesperado. Para la visualización del vídeo de la cámara, lea el manual de instrucciones de su monitor de vídeo. Ponga la palanca de cambio en la relación R (marcha atrás) para ver la imagen de la parte posterior del vehículo.

8 Ajuste el ángulo de la cámara.

Al ajustar el ángulo de la cámara, procure no tirar del cable de la cámara.

Ajuste el ángulo de tal manera que la parte trasera del vehículo o del parachoques pueda verse en la parte inferior del monitor.



Parte trasera del vehículo o parachoques

9 Después de ajustar el ángulo de la cámara apriete firmemente los tornillos de fijación.

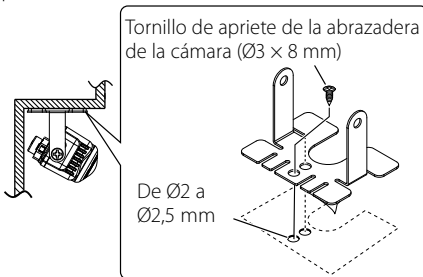
Examine los tornillos de fijación de vez en cuando. Si están flojos, apriételos con firmeza.

10 Fije la cámara firmemente en su posición.

Retire la protección de papel de la cinta adhesiva de doble cara de la abrazadera de la cámara y pegue la cinta. Después de pegarla, empuje la abrazadera de la cámara con el dedo para comprobar que esté bien adherida.

No toque la superficie adhesiva con la mano y no retire y vuelva a pegar una cinta ya adherida, ya que la fuerza adhesiva se verá reducida y la abrazadera de la cámara podría desengancharse. Si es necesario, fije la abrazadera a la carrocería del vehículo utilizando el tornillo de fijación de la abrazadera de la cámara.

El soporte de la cámara tiene dos orificios para el tornillo. Seleccionar uno de ellos para ajustar la posición del accesorio.

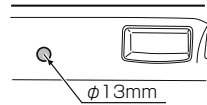


Uso de un ojal

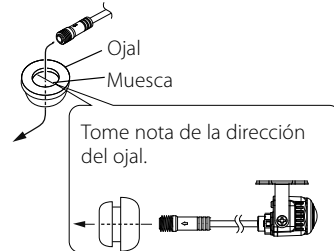
⚠ PRECAUCIÓN

- Cuando taladre un agujero en la carrocería del automóvil para montar la cámara, compruebe las posiciones de las líneas de fluido, depósitos, cableado eléctrico, etc. para asegurarse de que no haya interferencias o contacto con estos. De lo contrario, podría resultar en un incendio, una descarga eléctrica o un fallo de funcionamiento.
- Si es necesario un trabajo de perforación, asegúrese de usar gafas de protección para evitar que las virutas y los restos entren en sus ojos. De lo contrario, existe el riesgo de sufrir lesiones.

1 Taladre un agujero de $\Phi 13$ mm para el cableado.



2 Haga una muesca en el ojal adjunto y pase el conector del cable del lado de la cámara.



3 Impermeabilice el área del ojal en el lado interno de la puerta trasera con un sellador comercial o similar.

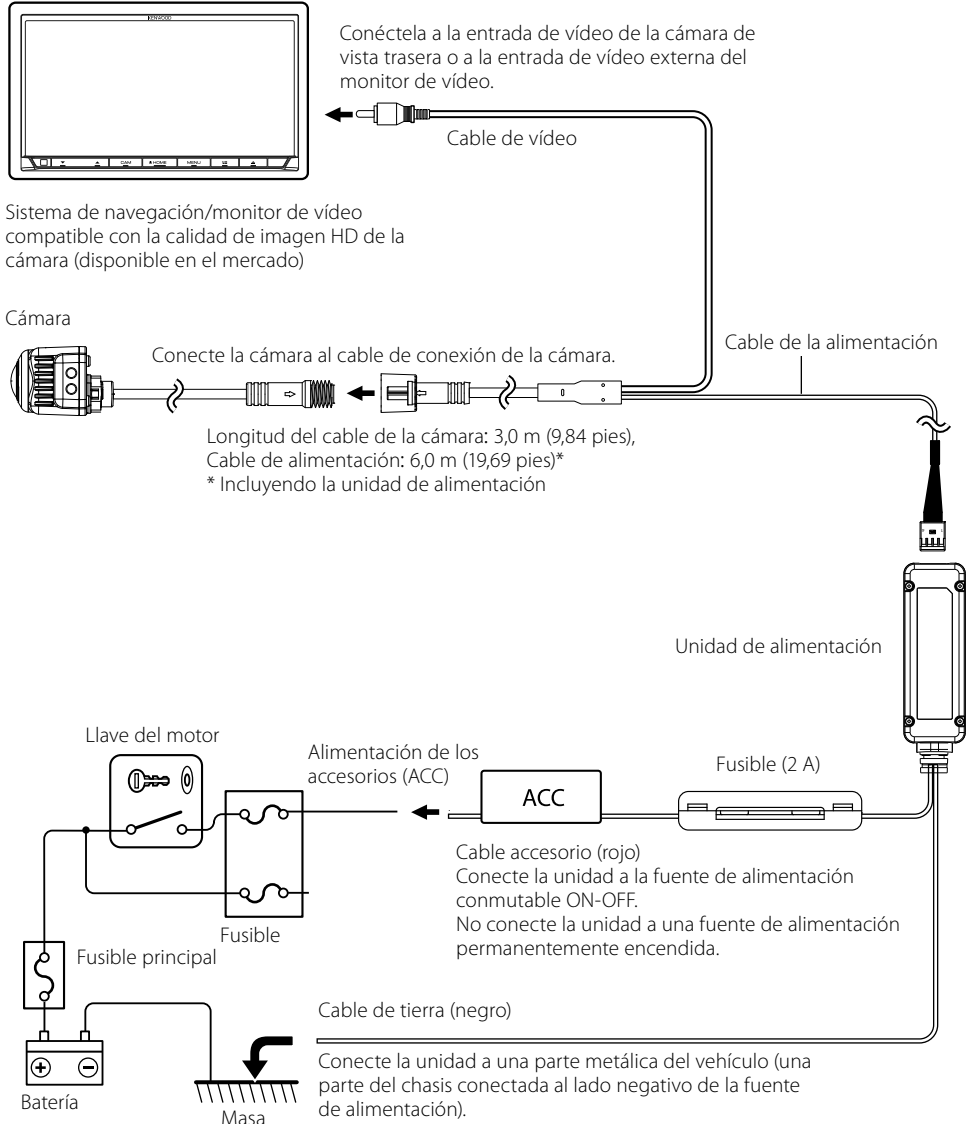


Conexiones

⚠️ PRECAUCIÓN

- Si la llave del motor de su vehículo no incluye la posición ACC, bifurque el cable activado cuando la llave del motor esté en posición ON y conéctelo al cable de alimentación del accesorio.
- Antes de realizar las conexiones, compruebe que la llave del motor no esté introducida y desconecte el terminal (⊖) de la batería para evitar que se produzcan cortocircuitos.
- No doble el cable de la cámara a un diámetro de 40 mm o un radio de 20 mm o inferior.

Conexiones básicas



Especificaciones

Unidad de la cámara

Lente

Gran angular,
Longitud focal 1,86 mm,
Valor F 2,0

Ángulos de visión

: Horizontal: 180°
: Vertical: 103°

Impermeable y a prueba de polvo: IP67

Sensor de la imagen

: Sensor CMOS de color de 1/3.8-pulgadas

Número de píxeles

: 1,3 megapíxeles

Iluminancia del objeto

: de 1,0 lux a 100 k lux

Resolución: 1280 × 720

Velocidad de fotogramas: 30 fps

Salida I/F: HD-TVI

Salida de vídeo

: Imagen especular gran angular (para vista trasera)

Temperatura de funcionamiento

: de -30 °C a +85 °C

Dimensiones (An. × Al. × Pr.)

: 31,1 × 23,0 × 25,2 mm
1-1/4 × 7/8 × 1 pulg.

Peso

: 33,2 g (1,2 onzas)
(sin cable)

Unidad de alimentación

Tensión de funcionamiento: 12 V/24 V CC

Dimensiones (An. × Al. × Pr.)

: 69,2 × 23,6 × 15,5 mm
2-3/4 × 15/16 × 5/8 pulg.
(sin incluir los salientes)

- Una imagen especular es una imagen de vídeo en la que el lado izquierdo y el derecho se invierten como en la imagen vista en un retrovisor trasero o lateral.
- Las especificaciones se encuentran sujetas a cambios sin previo aviso.

Información sobre el desecho de equipos eléctricos y electrónicos viejos (aplicable a países que han adoptado sistemas de recolección de residuos por separado)



Los productos con el símbolo (contenedor con ruedas tachado) no podrán ser desechados como residuos domésticos.

Los equipos eléctricos y electrónicos viejos deben reciclarse en una instalación capaz de manipular estos artículos y sus subproductos de desecho.

Póngase en contacto con su autoridad local para obtener detalles sobre cómo localizar la instalación de reciclaje más cercana a usted.

Un reciclaje y eliminación de residuos adecuados ayudarán a conservar los recursos y evitarán efectos perjudiciales para nuestra salud y el medio ambiente.

Antes de usar/ Procedimentos para instalação

AVISO

As seguintes precauções devem ser tomadas para evitar ferimentos ou incêndio:

- Para prevenir curtos-circuitos, nunca se deve colocar ou deixar objectos metálicos (p.ex., moedas ou ferramentas de metal) dentro do aparelho.
- A instalação e a ligação deste produto requerem competências especializadas e experiência. Para sua segurança, peça a um técnico especializado para instalar a unidade.
- Ao fazer um orifício para instalar a câmara, verifique a localização dos tubos, depósitos e cablagem e evite tocá-los. Caso contrário, poderá causar um incêndio.
- Ao fazer um furo com uma broca, use óculos para proteger os olhos.

CUIDADO

Para evitar que o produto se estrague, tome as seguintes precauções:

- Ligue a massa do aparelho ao negativo da fonte de alimentação de 12 V/24 V.
- Quando substituir um fusível, utilize apenas um fusível novo com a amperagem recomendada. Utilizar um fusível com uma amperagem errada pode causar a avaria da unidade.
- Não use os seus próprios parafusos. Utilize apenas os parafusos fornecidos. Se utilizar os parafusos errados pode danificar a unidade.

NOTA

- Este produto é uma câmara que fornece imagens espelhadas (esquerda e direita invertidas).
- A TV pode ser conectada a uma entrada de vídeo RCA compatível com a qualidade de imagem da câmara HD, mas verifique se a TV usada possui uma função de ativação de marcha-atrás.
- Este produto foi concebido como um complemento para a visão posterior do condutor, mas as imagens da câmara não mostram todos os perigos e obstáculos. Certifique-se de que olha para confirmar as imagens antes de fazer marcha-atrás.
- Este produto possui uma lente de ângulo de visão larga, portanto a visão ao perto é ampla e ao longe é estreita, o que pode causar uma falsa percepção de distância. Certifique-se de que olha para confirmar as imagens antes de fazer marcha-atrás.
- Não lave o carro utilizando uma lavagem de carro automática ou com água a alta pressão porque pode fazer com que entre água na câmara ou que a câmara caia.

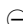
- Verifique o suporte de instalação da câmara antes de conduzir.
Os parafusos estão soltos?
 - O suporte da câmara está bem fixo?
 - Se a câmara de visão traseira se soltar enquanto conduz poderá causar um acidente.
- Antes de instalar a unidade, ligue os cabos temporariamente, certificando-se de que tudo se liga correctamente e que a unidade e o sistema funcionam.
- Quando montar esta unidade, certifique-se de que nenhum dos fios condutores fica preso entre esta unidade e a estrutura ou encaixes circundantes.
- Não monte esta unidade perto da saída do radiador, onde seria afectada pelo calor, ou perto das portas, onde poderia ser salpicada pela água da chuva. (Nunca instale em locais como aqueles mencionados acima devido ao perigo de avaria causado por temperaturas elevadas.)
- Antes de fazer qualquer furo para a montagem verifique o que está por detrás no ponto onde quer fazer o furo. Não faça furos nas linhas de gás, nas linhas dos travões, nos cabos eléctricos ou noutras partes importantes.
- Se esta unidade estiver instalada no compartimento dos passageiros, prenda-a com segurança para que não se solte enquanto o carro está em movimento e cause ferimentos ou um acidente.
- Se esta unidade estiver instalada debaixo do assento da frente, certifique-se de que não obstrui os movimentos do assento. Coloque todos os fios condutores e os fios eléctricos cuidadosamente ao redor do mecanismo de deslizamento para que não fiquem presos ou sob pressão debaixo do mecanismo e causem um curto-circuito.


Cuidado e manutenção

- Quando o produto estiver sujo, limpe-o com um pano seco de silicone ou um macio. Se estiver muito manchado, remova a mancha com um pano humedecido num produto de limpeza neutro e depois seque o detergente neutro. Não utilize um pano áspero e/ou uma substância volátil tal como um diluente de laca ou álcool porque pode riscar, degradar e/ou danificar o produto.
- Quando a lente estiver suja, limpe-a com cuidado com um pano macio humedecido em água. Não esfregue a lente com um pano seco para evitar riscá-la.

Procedimentos para instalação

Esta seção destina-se ao instalador profissional. Por motivos de segurança, deixe a cablagem e a montagem a cargo de profissionais. Consulte o revendedor de áudio do carro.

- 1 Para evitar um curto-circuito, retire a chave da ignição e desligue a bateria .

- 2** Faça as ligações adequadas dos fios de entrada e saída para cada unidade.
- 3** Ligue os cabos da cablagem pela seguinte ordem: terra, ignição e unidade da câmara.
- 4** Instale a unidade no seu carro.
- 5** Volte a ligar a  bateria.

AVISO

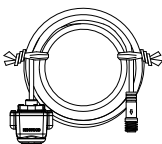
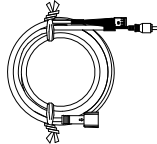

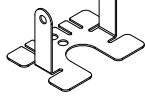


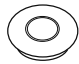

- Se ligar o cabo da ignição (Vermelho) ao chassis do carro (Terra), pode causar um curto-circuito, o que por sua vez pode originar um incêndio. Ligue sempre esses fios à fonte de alimentação que passa pela caixa dos fusíveis.
- Não desligue o fusível do cabo de ignição (Vermelho). A fonte de alimentação tem que estar ligada aos cabos através do fusível.

CUIDADO

- Se a ignição do seu carro não tiver uma posição ACC, ligue os cabos da ignição a uma fonte de alimentação que possa ser ligada e desligada com a chave de ignição. Se ligar o cabo da ignição a uma fonte de alimentação com um fornecimento constante de energia, como os cabos da bateria, a bateria pode ficar descarregada.
- Se o fusível fundir, primeiro certifique-se de que os cabos não estão em contacto de forma a causar um curto-circuito e, em seguida, substitua o fusível velho por um novo com a mesma amperagem.
- Isole os cabos não ligados com fita isolante ou outro material similar. Para evitar um curto-circuito, não tente remover as protecções das extremidades dos cabos que não estão ligados ou dos terminais.
- Depois de esta unidade ser instalada, verifique se os faróis dos travões, os piscas, os limpa-vidros, etc. do carro funcionam correctamente.
- Instale de maneira a que o campo de visão traseiro não fique obstruído.
- Instale de maneira a que a unidade não esteja saliente da parte lateral do carro.
- Não realize a instalação com chuva ou nevoeiro.
- Quando a humidade é elevada, seque a superfície na qual a unidade vai ficar fixada antes de instalar.
- A humidade na superfície de fixação reduz a força da adesão, que pode fazer com que a unidade se solte.
- Não fixe o suporte da câmara em zonas da carroçaria que tenham sido tratadas com resina de fluorocarbono ou vidro.
- Pode resultar na queda da câmara traseira.
 - Não aplique água à unidade.
 - Não exponha a unidade à chuva.
 - Não sujeite a câmara a força desnecessária.
 - Limpe em profundidade onde utilizar fita para segurar a unidade.

- Consulte o Manual de instruções para detalhes sobre como ligar as outras unidades, em seguida faça as ligações correctamente.
- Segure os cabos com grampos de cabo ou fita adesiva. Para proteger os cabos, enrole fita adesiva em volta quando eles ficarem encostados a partes metálicas.
- Desvie e segure todos os cabos para que não toquem em peças em movimento, como a alavanca de mudanças, o travão de mão e as calhas dos bancos.
- Não deixe que os cabos passem por locais que possam ficar quentes, como perto da saída do radiador. Se o isolamento dos cabos derreter ou romper-se, existe o perigo do cabo provocar um curto-circuito na carroçaria.
- Quando substituir o fusível, certifique-se de que utiliza apenas um fusível com a amperagem recomendada para o conjunto portador.
- Para minimizar o ruído coloque o cabo da antena da televisão, o cabo da antena do rádio e o cabo RCA o mais longe possível uns dos outros.
- Deite os fios eléctricos evitando zonas de temperaturas elevadas. Utilize tubos ondulados para a cablagem no interior da sala de máquinas. Se um cabo entrar em contacto com uma zona de temperatura elevada do veículo, o revestimento pode derreter e provocar curto-circuito, podendo conduzir ao perigo de incêndio ou de choque eléctrico.

Acessórios

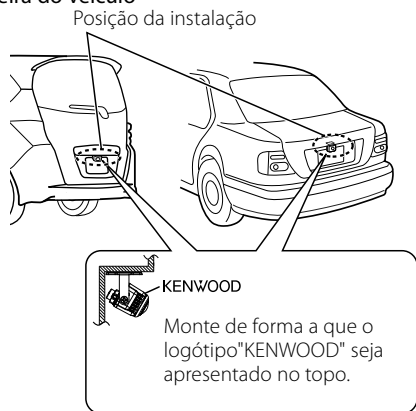
<p>Câmara (3,0 m).....1</p> 	<p>Cabo de alimentação (6,0 m¹⁾).....1</p> 
<p>Unidade de alimentação.....1</p> 	<p>Suporte da câmara.....1</p> 
<p>Parafuso (M3 x 5 mm).....2</p> 	<p>Parafuso de aperto do suporte da câmara (Ø3 x 8 mm).....1</p> 
<p>Passa-cabos.....1</p> 	<p>Banda.....1</p> 

[1] Incluindo a unidade de alimentação

Instalação

Posição de instalação recomendada

Exemplos de instalação correta da câmara na traseira do veículo



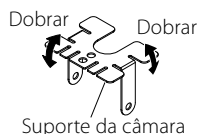
Instalar a câmara/Ajustar o seu ângulo

1 Escolha a posição de instalação da câmara.

2 Limpe a superfície de instalação da câmara.

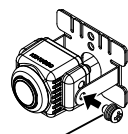
Limpe com um produto de limpeza comercial disponível a sujidade, humidade e o óleo da superfície onde o suporte da câmara vai ser fixado.

3 Se necessário, separe o suporte da câmara da câmara e ajuste a forma de acordo com a superfície onde vai ser fixado.



Ajuste a forma do suporte da câmara para que encaixe na posição de instalação da câmara.

4 Monte a câmara no suporte da câmara.

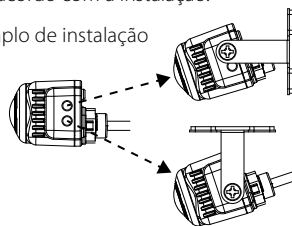


Fixe a câmara ao suporte da câmara com o parafuso de montagem. (2 posições de cada lado)

Monte de forma a que o logótipo "KENWOOD" seja apresentado no topo.

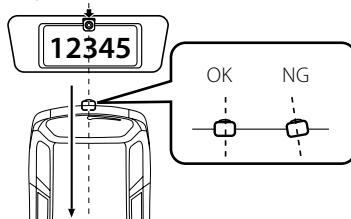
A câmara tem dois orifícios para fixação em cada lado, um em cima e outro em baixo. Ajuste de acordo com a instalação.

Exemplo de instalação



5 Fixe a câmara temporariamente com fita adesiva, etc.

Usando um pedaço de fita, etc., fixe a câmara temporariamente.



Instale a câmara no centro do veículo e não tape a chapa de matrícula. Além disso, instale a apontar diretamente na direção de movimento para a frente/para trás do veículo. Tome cuidado para não inclinar a câmara para outras direcções do veículo, etc.

6 Conclua todas as ligações necessárias.

7 Apresente o vídeo da câmara.

Antes de visualizar a câmara, aplique o travão de mão e bloqueie as rodas para que o veículo não se desloque. Caso contrário, tal pode resultar num acidente inesperado.

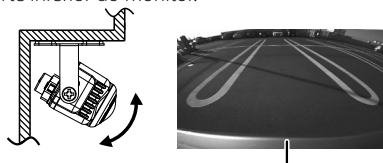
Para exibir o vídeo da câmara, leia o manual de instruções do seu monitor de vídeo.

Altere a posição da alavanca de transmissões para a posição R (marcha-atrás) para visualizar a traseira do veículo.

8 Ajustar o ângulo da câmara.

Ao ajustar o ângulo da câmara, tenha cuidado para não esticar o cabo da câmara.

Ajuste o ângulo de forma a que a traseira do veículo ou o para-choques possa ser visto na parte inferior do monitor.



Parte traseira do veículo ou pára-choques

9 Depois de ter ajustado o ângulo da câmara, aperte firmemente os parafusos de retenção.

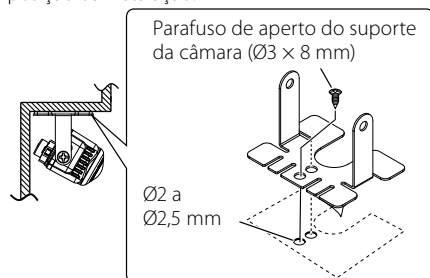
Inspeccione os parafusos de retenção periodicamente. Se estiverem soltos, aperte-os firmemente.

10 Fixe a câmara firmemente na posição.

Retire o papel de cobertura da fita adesiva face dupla no suporte da câmara e fixe-a. Depois de ter fixado, prima o suporte da câmara com o seu dedo para garantir uma forte adesão.

Não toque na superfície da fita adesiva com a sua mão ou retire e fixe novamente uma fita adesiva que já foi fixada, porque tal degrada a força adesiva e pode fazer com que o suporte da câmara se descole. Se necessário, segure o suporte na carroçaria utilizando o parafuso de fixação do suporte da câmara.

O suporte da câmara tem dois orifícios para o parafuso. Selecione um deles para se adaptar à posição da instalação.

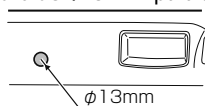


Usar um passa-cabos

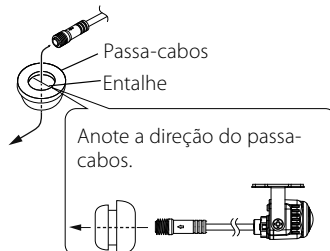
⚠ CUIDADO

- Ao fazer um orifício na carroçaria para montar a câmara, verifique as posições de linhas de líquidos, depósitos, cablagem elétrica, etc. para garantir que não haja interferência ou contato com estes. Não o fazer pode resultar em incêndio, choque elétrico ou mau funcionamento.
- Se for necessário realizar trabalhos de perfuração, use óculos de proteção para impedir que lascas e detritos atinjam os seus olhos. Caso contrário, haverá o risco de lesões.

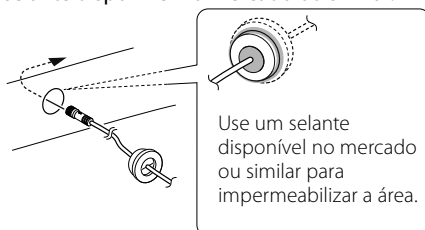
1 Faça um furo de Ø13 mm para a cablagem.



2 Faça um entalhe no passa-cabos incluído e passe através dele o conector do cabo no lado da câmara.



3 Impermeabilize a área do passa-cabos no lado interno da porta traseira com um selante disponível no mercado ou similar.

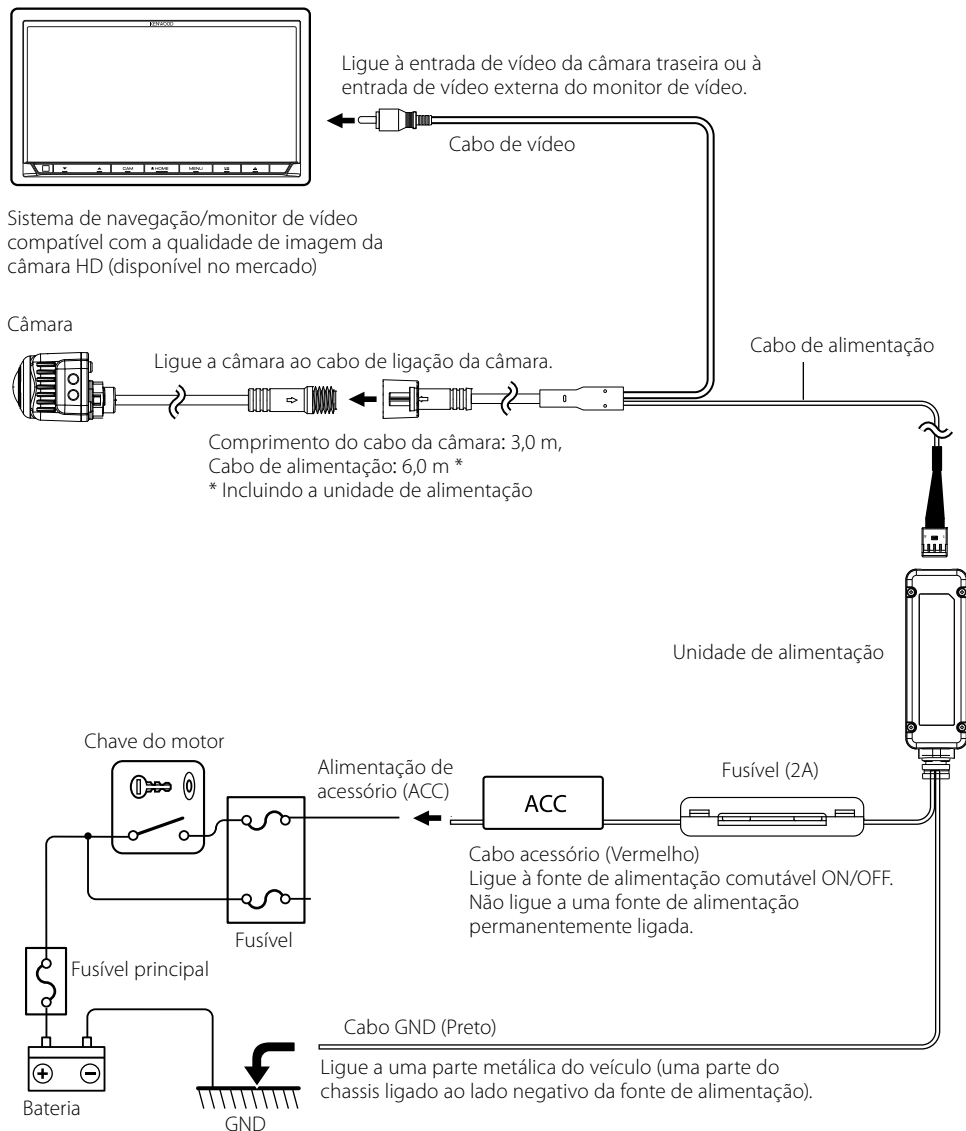


Ligações

⚠ CUIDADO

- Se a chave do motor do seu veículo não tiver a posição ACC, divida o fio com corrente quando a chave do motor estiver na posição ON e ligue-o ao cabo da alimentação de acessório.
- Antes de proceder às ligações, certifique-se de que a chave do motor não está inserida e desligue o terminal (⊖) da bateria para evitar a ocorrência de curto-circuito.
- Não dobre o cabo da câmara num diâmetro de 40 mm ou num raio de 20 mm ou inferior.

Ligações básicas



Especificações

Unidade da Câmera

Lente

Grande angular,
distância focal 1,86 mm,
valor F 2,0

Ângulos de visão

: Horizontal: 180°
: Vertical: 103°

Impermeável e à prova de poeira: IP67

Sensor de imagem

: Sensor CMOS a cores de 1/3,8 polegadas

Número de pixels

: 1,3 Mega pixels

Iluminância do objeto

: 1,0 lux a 100k lux

Resolução: 1280 × 720

Taxa de fotogramas: 30 fps

Saída I/F: HD-TVI

Saída de Vídeo

: Imagem espelho do ângulo de visão larga
(para visualização traseira)

Temperatura de operação

: -30 °C a +85 °C

Dimensões (L × A × P)

: 31,1 × 23,0 × 25,2 mm
1-1/4 × 7/8 × 1 polegada

Peso

: 33,2 g
(sem cabo)

Unidade de alimentação

Tensão de funcionamento: CC 12 V/24 V

Dimensões (L × A × P)

: 69,2 × 23,6 × 15,5 mm
2-3/4 × 15/16 × 5/8 polegadas
(excluindo as saliências)

- A imagem espelho significa que a imagem do vídeo inverte a esquerda e a direita exactamente como a imagem vista no retrovisor ou no espelho lateral.
- As especificações podem ser alteradas sem prévia notificação.

Informação sobre o Descarte de Equipamentos Elétricos e Eletrónicos Usados (aplicável nos países que adotaram sistemas de recolha de lixo separado)



Os produtos com o símbolo (caixote do lixo com um X) não podem ser eliminados como lixo doméstico.

Os equipamentos elétricos ou eletrónicos usados deverão ser reciclados numa instalação capaz de processar estes itens e os seus subprodutos residuais.

Entre em contato com as autoridades locais para obter detalhes sobre como localizar as instalações de reciclagem mais próximas de si.

A reciclagem e o tratamento de lixo corretos ajudam a poupar recursos e evitam efeitos prejudiciais à nossa saúde e ao ambiente.

使用之前 / 安装步骤

警告

为了防止受伤或火灾，请遵守下列注意事项：

- 为了防止短路等事故，请勿将金属物品（硬币、金属工具等）掉落在本机中。
- 安装本产品和连接导线需要专业技能和经验。为了保证安全，应请专业人员完成安装。
- 在打孔安装摄像头时，请检查管道、水箱和布线位置，并避免接触它们。否则，可能引起火灾。
- 在用钻头打孔时，请佩戴护目镜保护眼睛。

小心

为了防止损坏本产品，请遵守下列注意事项：

- 请务必以负极接地的 12V/24V 直流电源向本机供电。
- 更换保险丝时，只能使用额定规格的新保险丝更换。如果使用错误规格的保险丝，将导致本机发生故障。
- 请不要使用自备螺丝。只能使用随机提供的螺丝。如果使用了错误的螺丝，可能损坏本机。

注意

- 本产品是具有镜像图像（左右倒置）功能的摄像头。
- 可将电视连接至与高清摄像头画质兼容的 RCA 视频输入，但是请检查您使用的电视是否具有倒档激活功能。
- 本产品用于向驾驶人员提供辅助后视图像，但是摄像头的图像无法显示所有危险和障碍物。请务必在倒车时观察和确认后方。
- 本产品采用了广角镜头，因此近景较大、远景较小，可能产生距离错觉。请务必在倒车时观察和确认后方。
- 请不要使用自动洗车机或高压水洗车，否则水可能进入摄像头、或者使摄像头掉下来。
- 开车之前，请检查摄像头支架的安装状况。
螺丝是否松动？
 - 摄像头支架的固定是否牢固？
 - 如果后视镜摄像头在开车时脱落，可能造成事故。
- 在最后固定本机之前，请先临时连接导线，确认全部连接是否正确、以及本机和系统是否正常运行。
- 安装本机时，请确认引线不得被挡在本机和周围的金属部件或装置之间。
- 不得将本机安装在靠近暖风出口的位置，避免受到热气的影响；也不要靠近车门，防止被雨水溅到。（绝对避免安装在上述位置，因为高温可能可能造成故障。）
- 钻任何安装孔之前，均应检查钻孔位置的背后。钻孔时不得损伤油路管线、制动管线、电线、以及其他重要部件。

- 如果本机安装在车厢，请可靠固定，防止汽车开动时脱落造成受伤或事故。
- 如果本机安装在前侧座椅下方，应避免妨碍座椅的移动。小心地布设滑动装置周围的引线和导线，避免被夹住或挤压造成短路。

维护与保养

- 如果本产品弄脏，请使用湿布或软布擦拭。如果脏污严重，请用布蘸中性清洁剂擦拭污垢，然后擦掉清洁剂。不得使用硬质的布和 / 或诸如稀释剂或酒精等挥发性溶剂擦拭，否则可能造成划伤、变形、劣化、和 / 或损坏。
- 镜头部件弄脏时，请用水湿过的软布轻轻擦拭。不得使用硬质的布擦拭，防止划伤镜头。

安装步骤

本部分适用于专业安装人员。

为了安全起见，请由专业人员完成布线和安装工作。请咨询汽车音响经销商。

- 1 为了防止发生短路，请拔出点火钥匙，切断蓄电池 ⊖ 极端子的连接。
- 2 正确连接各装置的输入和输出导线。
- 3 按照以下顺序连接导线束：接地线、点火线和摄像头装置。
- 4 将本机安装到汽车上。
- 5 重新连接蓄电池 ⊖ 极端子。

警告

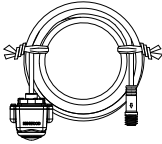
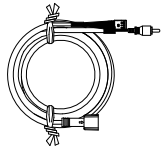

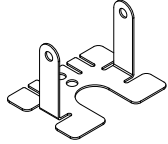


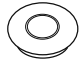
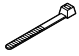
- 如果将点火导线（红色）与汽车底盘（接地）连接，可能造成短路而引起火灾。应始终通过保险丝盒将这些导线与电源连接。
- 不得拆掉点火导线（红色）上的保险丝。电源必须通过保险丝与导线连接。

小心

- 如果汽车点火系统没有 ACC（附件电源）位置，请将点火导线与可由点火钥匙控制接通或关闭的电源连接。如果将点火导线与恒定供电的电源连接，如蓄电池导线，蓄电池将会耗尽。
- 如果保险丝熔断，请首先检查导线是否触碰而发生短路，然后使用相同规格的保险丝更换。
- 请使用聚氯乙烯绝缘带或其它类似材料绝缘未连接的导线。为了防止短路，请勿移除未连接电线末端、或端子的罩帽。
- 安装本机后，请检查汽车的刹车灯、方向灯、雨刷等是否工作正常。
- 安装时不要妨碍后侧的视线。
- 安装时不要从汽车的侧面突出。
- 不要在雨中或雾中安装。
- 如果湿度较高，请在安装之前将本机的安装表面擦干。

- 粘贴面潮湿会降低粘贴强度，可能导致本机脱落。
- 不要将摄像头支架安装在经氟碳树脂处理的车身上或玻璃上。
- 可能会造成后视镜摄像头脱落。
 - 不得使本机溅到水。
 - 不得使本机淋到雨。
 - 不得多摄像头施加不必要的外力。
 - 对使用胶带粘贴本机的位置彻底清洁。
- 有关连接其他装置的详细内容，请参照使用说明书，然后正确连接。
- 请使用导线夹或胶带固定导线。为了保护导线，请使用胶带缠绕与金属部件接触的部位。
- 布设和固定所有导线时，不得与诸如变速杆、手刹、以及座椅轨道等活动部件接触。
- 不得将导线布设在暖风出口等较热位置。如果导线的绝缘融化或破损，导线可能发生与车身短路。
- 更换保险丝时，仅可使用保险丝盒上标明规格的保险丝更换。
- 为了使干扰降至最小，请尽可能使电视天线导线、收音机天线导线、以及 RCA 导线相互远离。
- 请避免在高温区域布线。对发动机室内的导线，请使用波纹管保护。如果导线与汽车的高温部位接触，绝缘层可能融化造成短路，引起火灾或触电。

附件

摄像头 (3.0 m).....1 	电源线 (6.0 m ^[1]).....1 
电源装置1 	摄像头支架1 
螺钉 (M3 × 5 mm).....2 	摄像头支架固定螺钉 (Ø3 × 8 mm).....1 
护线圈1 	扎带1 

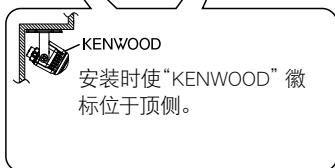
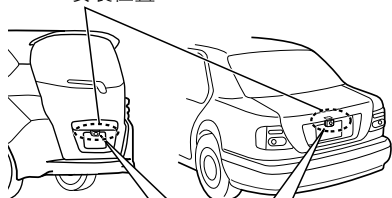
[1] 包括电源装置

安装

建议的安装位置

在汽车后部正确安装摄像头示例

安装位置



安装摄像头 / 调节角度

- 1 确定摄像头的安装位置。
- 2 清洁摄像头的安装表面。
使用市售的清洁剂，擦去粘贴摄像头支架表面上的灰尘、水分、以及油污。
- 3 如果需要，从摄像头上取下摄像头支架，按照粘贴表面调节形状。



调节摄像头支架形状，使其适合摄像头的安装位置。

- 4 将摄像头安装在摄像头支架上。

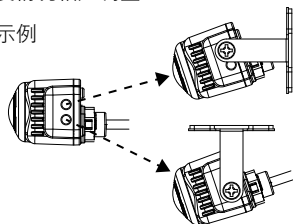


螺钉
(M3 × 5 mm)

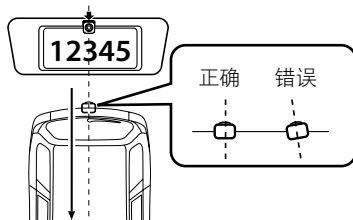
用安装螺钉将摄像头固定到摄像头支架上。(每侧2个位置) 安装时使“KENWOOD”徽标位于顶侧。

摄像头有两个固定孔，分别位于侧面顶部和底部。请根据安装情况相应调整。

安装示例



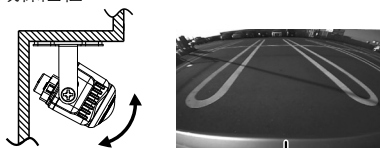
- 5 使用胶带等临时固定摄像头。
用胶带等临时固定摄像头。



将摄像头安装在汽车中央，不要遮蔽车牌。而且直接朝着汽车前进/后退方向安装。请注意，不要使摄像头倾向汽车的其他方向等。

- 6 完成所有需要的连接。
- 7 显示摄像头的视频。
查看摄像头之前，请使用停车制动器，塞住车轮，避免汽车移动。否则可能发生意外事故。要显示摄像头视频，请阅读视频监视器的使用说明书。将变速杆置R(倒挡)位置，观察汽车后侧的图像。
- 8 调整摄像头角度。

调节摄像头的角度时，请注意不要拉动摄像头的导线。调整角度，以便可以在监视器底部看到汽车后部或保险杠。



汽车的后侧部分或后保险杠

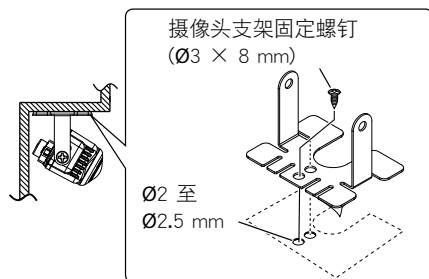
- 9 完成摄像头角度的调节后，可靠地旋紧固定螺丝。

请经常检查固定螺丝。如果发现螺丝松动，请可靠旋紧。

10 在适当的位置可靠固定摄像头。

揭下摄像头支架上双面胶带的护纸，然后粘贴。粘贴后，用手压紧摄像头支架使粘贴牢固。不得用手触摸粘贴面、或取下后重新粘贴，否则会降低粘贴力，导致摄像头支架脱落。如果需要，请使用摄像头支架固定螺丝将支架固定在车身上。

摄像头支架上有两个螺钉孔。选择其中一个适合粘贴位置的孔。

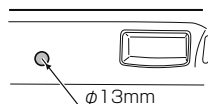


使用护线圈

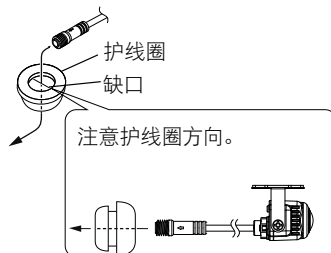
⚠ 小心

- 在车身上钻孔以安装摄像头时，请检查流体管路、油箱、布线等位置，确保不会与它们干涉或接触。否则，可能会导致火灾、电击或故障。
- 如果需要进行钻孔作业，请务必佩戴护目镜，防止碎片和碎屑进入眼睛。否则，有受伤危险。

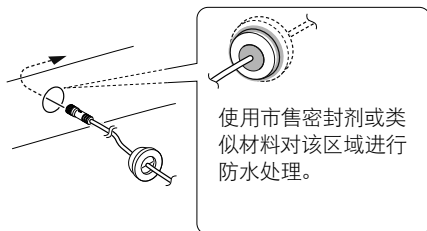
1 钻一个 $\text{Ø}13 \text{ mm}$ 布线孔。



2 在随附护线圈上切一个缺口，然后将摄像头侧的电缆连接器穿过该孔。



3 使用市售密封剂或类似材料对后门内侧的护线圈区域进行防水处理。

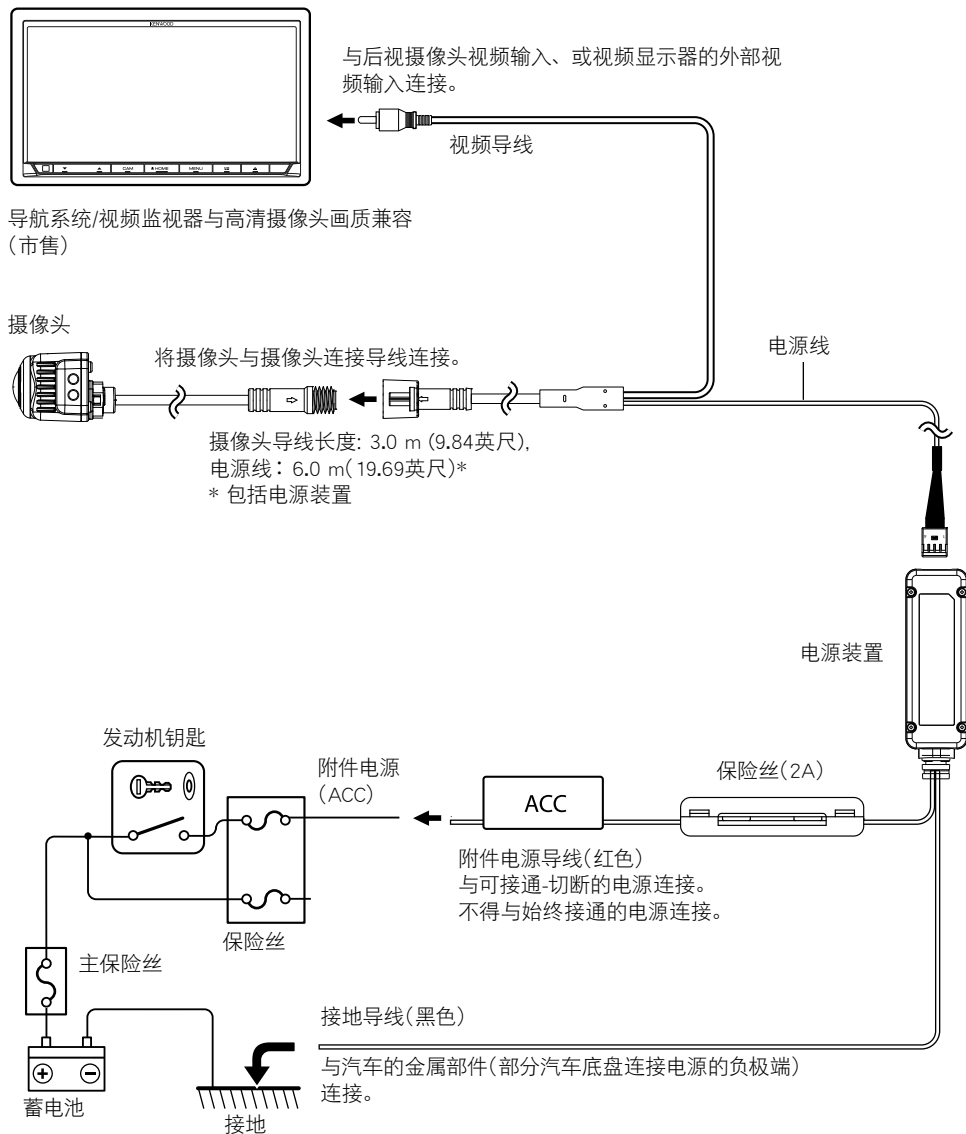


连接

⚠ 小心

- 如果汽车的发动机钥匙没有 ACC (附件电源) 位置, 从发动机钥匙接通时供电的导线分线, 与附件电源导线连接。
- 在开始接线之前, 请务必拔出发动机钥匙, 并且切断蓄电池 (⊖) 极端子的连接, 防止发生短路。
- 摄像头电源线弯曲直径不得小于 40 mm, 半径不得小于 20 mm。

基本连接



技术规格

摄像头装置

镜头

广角,
焦距 1.86 mm,
光圈值 2.0

视角

: 水平: 180°
: 垂直: 103°

防水防尘: IP67

影像感应器: 1/3.8 英寸彩色 CMOS 传感器

像素数量

: 130 万像素

物体照度

: 1.0 lux 至 100 k lux

清晰度: 1280 × 720

帧频: 30 fps

输出 I/F: HD-TVI

视频输出

: 广角镜像图像 (后视)

工作温度

: -30 °C 至 +85 °C

尺寸 (宽 × 高 × 深)

: 31.1 × 23.0 × 25.2 mm
1-1/4 × 7/8 × 1 英寸

重量

: 33.2 g (1.2 oz)
(无电缆)

电源装置

工作电压: DC 12V/24V

尺寸 (宽 × 高 × 深)

: 69.2 × 23.6 × 15.5 mm
2-3/4 × 15/16 × 5/8 英寸
(不含突出部位)

- 镜像图像指左右颠倒的视频图像, 与在后视镜或侧镜中看到的图像相同。
- 技术规格可能变更, 恕不另行通知。

CMOS-740HD

كاميرا الرؤية الخلفية الشاملة

دليل التشغيل

JVCKENWOOD Corporation

⚠️ تحذير

لتجنب حدوث إصابة أو اندلاع حريق، اتبع الاحتياطات التالية:

- لتجنب حدوث ماس كهربائي، لا تضع أي أشياء معدنية (مثل العملات المعدنية أو الأدوات المعدنية) داخل الوحدة أو تركها بها.
- يتطلب تركيب هذا المنتج أو توصيل أسلاكه مهارة وخبرة متخصصة، لضمان سلامتك، يُرجى طلب فني مُتخصص لتركيب الوحدة.
- عندما تقوم بعمل ثقب لتركيب الكاميرا، تحقق من موقع الأنابيب والخزانات والأسلاك وتجنب لمسها، وإلا فقد يتسبب ذلك في حريق.
- عندما تقوم بعمل ثقب باستخدام مثقاب، استخدم نظارات واقية لحماية عينيك.

⚠️ تنبيه

لتجنب تعرّض المنتج للتلف، اتّبع الاحتياطات التالية:

- تأكد من تأريض الوحدة إلى مصدر طاقة سلبى بجهد ١٢ فولت/ ٢٤ فولت تيار مستمر.
- عند استبدال أحد المصابيح، لا تستخدم سوى مصهر جديد مع القدرة المحددة. وفي حالة استخدام مصهر بقدرة خاطئة، فقد يؤدي ذلك إلى تعطل وحدتك.
- لا تستخدم مسامير الخاصة. استخدم فقط المسامير المرفقة. إذا استخدمت المسامير الخاطئة، فقد تتعرّض الوحدة للتلف.

ملاحظة

- هذا المنتج عبارة عن كاميرا تُقدّم صورًا معكوسة (مقلوبة إلى اليمين واليسار).
- يمكن توصيل التلفزيون بـ دخل فيديو RCA المتوافق مع جودة صورة كاميرا HD، ولكن يُرجى التحقق مما إذا كان التلفزيون الذي تستخدمه لديه وظيفة تنشيط الترس العكسي أم لا.
- هذا المنتج مُصمّم لتكملة الرؤية الخلفية للسانق، إلا أن صور الكاميرا لا تعرض جميع الأخطار والعقبات. احرص على النظر للخلف عند الرجوع للتأكد من المنظر.
- يتميز هذا المنتج بعدسة واسعة الزاوية، وبالتالي يكون المنظر القريب عريضًا والمنظر البعيد ضيقًا، مما قد يخلق إحساسًا خاطئًا بالمسافة. احرص على النظر للخلف عند الرجوع للتأكد من المنظر.
- لا تغسل سيارتك لدى محطات الغسيل الأوتوماتيكي أو باستخدام ضغط المياه العالي، فقد يؤدي ذلك إلى دخول الماء إلى الكاميرا أو سقوط الكاميرا.
- تحقق من حامل الكاميرا قبل القيادة.
- هل المسامير محلولة؟
- هل حامل الكاميرا مُثبت بإحكام؟
- إذا تحرّرت كاميرا الرؤية الخلفية أثناء القيادة، فقد يتسبب ذلك في وقوع حادث.
- قبل تركيب الوحدة في النهاية، قم بتوصيل الأسلاك مؤقتًا، وتأكد من توصيلها جميعًا بشكل صحيح ومن أن الوحدة والنظام يعملان على ما يرام.
- عند تركيب هذه الوحدة، تأكد من عدم انحسار أي من سلوك التوصيل ما بين هذه الوحدة والأجزاء المعدنية أو التركيبات المحيطة بها.
- تجنب تركيب هذه الوحدة بالقرب من مخرج المدفأة، حيث ستتأثر بالحرارة، أو بالقرب من الأبواب، حيث قد تتناثر عليها مياه الأمطار (لا تقم أبدًا بالتركيب في مواقع مثل ما سبق بسبب خطر حدوث خلل نظرًا لارتفاع درجات الحرارة).

- قبل حفر أي من فتحات التركيب، تحقق دائمًا من المكان الذي تريد حفر الفتحات فيه. تجنّب الحفر بالمثقاب بالقرب من خط الوقود أو خط الفرامل أو الأسلاك الكهربائية أو الأجزاء المهمة الأخرى.
- إذا تم تركيب هذه الوحدة في مقصورة الركاب، فاحرص على تثبيتها بإحكام حتى لا تتحرّز أثناء تحرك السيارة وتتسبب في وقوع إصابة أو حادث.
- إذا كانت هذه الوحدة مثبتة تحت مقعد أمامي، فتأكد من عدم إعاقتها لحركة المقعد. قم بتمرير جميع الأسلاك والتوصيلات بعناية حول آلية الانزلاق بحيث لا تتعرّض للانحسار أو للإطباق عليها داخل الآلية مما يؤدي لحدوث ماس كهربائي.

العناية والصيانة

- عندما يتعرّض المنتج للاتساخ، فاحرص على تجفيفه باستخدام قطعة قماش سيليكون أو قطعة قماش ناعمة. في حالة وجود بقع صعبة، فاحرص على إزالة البقع باستخدام منظف متعادل ثم مسحه بقطعة قماش مبلّلة. لا تستخدم قطعة قماش خشنة و/أو مادة متطايرة مثل مُخفّف الورنيش أو الكحول، وإلا فقد يتعرّض المنتج للخدش أو التشوّه أو التآكل و/أو التلف نتيجة لذلك.
- عندما يتعرّض مكوّن العدسة للاتساخ، امسح برفق باستخدام قطعة قماش ناعمة ومبلّلة بالماء. لا تفرق العدسة بقطعة قماش جافة حتى لا تتعرّض للخدش.

إجراء التركيب

هذا القسم مخصّص لفني التركيب المهني.

لأسباب تتعلق السلامة، اترك أمر التركيب وتوصيل الأسلاك للمهنيين. استشر وكيل الأجهزة الصوتية للسيارات.

1 لمنع حدوث ماس كهربائي، اسحب المفتاح من جهاز الإشعال وافصل القطب (-) للبطارية.

2 قم بإجراء توصيلات أسلاك الدخل والخروج الفُنايسية لكل وحدة.

3 قم بتوصيل أسلاك حامل الأسلاك بالترتيب التالي: الأرضي، والإشعال، ووحدة الكاميرا.

4 قم بتركيب الوحدة في سيارتك.

5 أعد توصيل القطب السالب (-) للبطارية.

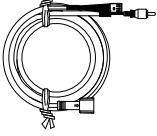
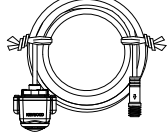
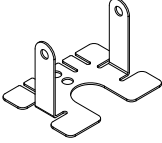




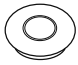
⚠️ تحذير

- إذا قمت بتوصيل سلك الإشعال (أحمر) بهيكل السيارة (أرضي)، فقد تتسبب في حدوث ماس كهربائي، وهذا بدوره قد يؤدي إلى نشوب حريق. احرص دائمًا على توصيل هذه الأسلاك بمصدر الطاقة الذي يمر عبر صندوق المصهر.
- لا تقطع المصهر من سلك الإشعال (أحمر). يجب توصيل مصدر الطاقة بالأسلاك عبر المصهر.

⚠️ تنبيه

- إذا لم يكن مفتاح إشعال سيارتك في وضع طاقة الملحقات التكميلية (ACC)، سقم بتوصيل أسلاك الإشعال بمصدر طاقة يمكن تشغيله وإيقاف تشغيله بمفتاح الإشعال. إذا قمت بتوصيل سلك الإشعال بمصدر طاقة بمصدر جهد ثابت، كما هو الحال مع أسلاك البطارية، فقد تنتهي البطارية.
- إذا انفجر المصهر، تأكد أولاً من عدم تلامس الأسلاك تجنّبًا لحدوث ماس كهربائي، ثم استبدل المصهر القديم بأخر جديد من نفس القدرة.
- اعزل الأسلاك غير المتصلة باستخدام شريط لاصق من الفينيل أو مواد أخرى مماثلة. لمنع حدوث ماس كهربائي، تجنب خلع الأغطية الموجودة على أطراف الأسلاك غير المتصلة أو المحطات الطرفية.

الملحقات التكميلية

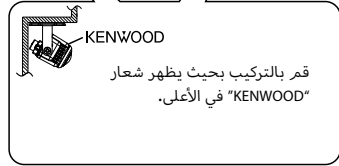
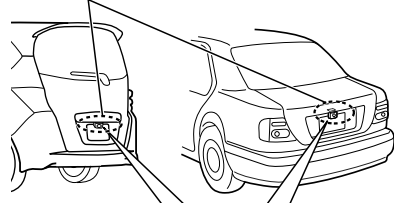
<p>سلك الطاقة (٦٠٠ م^١).....١</p> 	<p>الكاميرا (٣٠٠ م).....١</p> 
<p>حامل الكاميرا.....١</p> 	<p>وحدة الطاقة.....١</p> 
<p>مسمار تثبيت حامل الكاميرا (٨ × Ø٣).....١</p> 	<p>مسمار (٨٣ × ٥ م).....٢</p> 
<p>شريط.....١</p> 	<p>حلقة تثبيت.....١</p> 

[١] شامل وحدة الطاقة

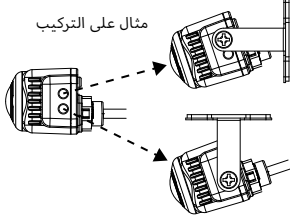
- بعد تركيب الوحدة، تحقق مما إذا كانت لمبات المكابح ومصباح الإشارات والمشاحات، وما إلى ذلك تعمل بشكل صحيح في السيارة.
- قم بإجراء عملية التركيب بحيث لا تعوق مجال الرؤية الخلفي.
- قم بتركيب الوحدة بحيث لا تبرز من جانب السيارة.
- تجنّب إجراء عملية التركيب في المطر أو الضباب.
- عندما تكون نسبة الرطوبة عالية، فاحرص على تحفيف السطح المراد تركيب الوحدة به أولاً قبل التركيب.
- تعمل الرطوبة الموجودة على سطح المرفق على تقليل قوة اللصق، مما قد يؤدي إلى انفصال الوحدة.
- لا تقم بتوصيل حامل الكاميرا بالمناطق الموجودة على جسم السيارة المُعالَجة براتنج الفلوروكربون أو الزجاج.
- فقد يؤدي ذلك إلى سقوط كاميرا الرؤية الخلفية.
 - لا تضع الماء على الوحدة.
 - لا تُعرّض الوحدة للمطر.
 - لا تُعرّض الكاميرا لقوة لداعي لها.
 - نظّف المكان المراد لصق الوحدة عليه تنظيفًا جيدًا.
- ارجع إلى دليل التعليمات للحصول على معلومات تفصيلية عن توصيل الوحدات الأخرى، ثم قم بإجراء التوصيلات على نحو صحيح.
- قم بتأمين الأسلاك باستخدام المشابك كابل أو الشريط اللاصق. لحماية الأسلاك، لف الشريط اللاصق حولها في المواضع المواجهة للأجزاء المعدنية.
- قم بتمرير جميع الأسلاك وتأمينها بحيث لا تلمس أي أجزاء متحركة، مثل ناقل الحركة وفرملة اليد وقضبان المقاعد.
- لا تمرّر الأسلاك في الأماكن التي ترتفع درجة حرارتها، على سبيل المثال بالقرب من محرك السخّان. في حالة انصهار المادة العازلة للأسلاك أو تمزّقها، فهناك خطر يتمثّل في حدوث ماس كهربائي بجسم السيارة.
- عند استبدال المصهر، احرص على ألا تستخدم سوى مصهر من نفس القدرة المذكورة على حامل المصهر.
- لتقليل الضوضاء لأدنى حد، احرص على وضع كابل هوائي التلفزيون وكابل هوائي الراديو وكابل RCA بعيدًا عن بعضهم البعض قدر الإمكان.
- ضع الأسلاك بطريقتة تتجنب بها المناطق ذات درجة الحرارة العالية. استخدم الأتابيب المضلّعة للأسلاك داخل غرفة المحرك. إذا لامس أحد الأسلاك منطقة ذات درجة حرارة عالية في السيارة، فقد يذوب الطلاء ويتسبب في حدوث ماس كهربائي، مما قد يؤدي إلى نشوب حريق أو صدمة كهربائية.

موضع التركيب الموصى به

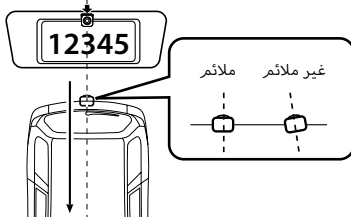
أمثلة على التركيب الصحيح للكاميرا في الجزء الخلفي من السيارة
موضع التركيب



تحتوي الكاميرا على فتحتي تثبيت بالجانب العلوي والسفلي.
يُرجى الضبط وفقاً لعملية التركيب.



٥ **تُثبت الكاميرا مؤقتًا باستخدام شريط لاصق أو ما شابه.**
باستخدام قطعة من الشريط اللاصق أو ما شابه، تُثبت الكاميرا مؤقتًا.



رُكِّب الكاميرا في منتصف السيارة بحيث لا تُخفي لوحة الأرقام. وقرص
أيضًا بالتثبيت مباشرة في الاتجاه الأمامي/الخلفي للسيارة. احرص
على ألا تجعل الكاميرا مائلة في اتجاهات السيارة الأخرى، وما إلى
ذلك.

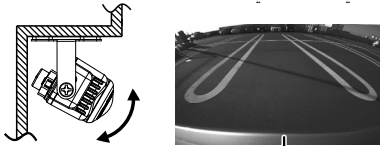
٦ **أكمل جميع التوصيلات المطلوبة.**

٧ **اعرض فيديو الكاميرا.**

قبل عرض الكاميرا، استخدم فرامل الانتظار مع تثبيت العجلات حتى
لا تتحرك السيارة. وإلا، فقد يقع حادث غير متوقع.
لعرض فيديو الكاميرا، اقرأ دليل تشغيل شاشة الفيديو الخاصة
بسيارتك.
حرِّك ذراع نقل الحركة إلى الوضع R (التحرُّك للخلف) لعرض صورة
الجزء الخلفي من السيارة.

٨ **اضبط زاوية الكاميرا.**

عند ضبط زاوية الكاميرا، احرص على عدم تمديد سلك الكاميرا.
اضبط الزاوية في وضع يسمح لك برؤية الجزء الخلفي من السيارة أو
المصدِّ في الجزء السفلي من الشاشة.



الجزء الخلفي من السيارة أو المصدِّ

٩ **بعد ضبط زاوية الكاميرا، أحكم ربط مسامير التثبيت.**

افحص مسامير التثبيت من وقت لآخر. فإذا كانت محلولة، احرص على
ربطها بإحكام.

تركيب الكاميرا/ضبط زاويتها

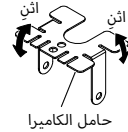
١ **حدِّد موضع تركيب الكاميرا.**

٢ **نظِّف سطح تركيب الكاميرا.**

باستخدام مُنظِّف متوفِّر بالأسواق، امسح الأوساخ والرطوبة والزيوت
من السطح الذي سيتم تركيب حامل الكاميرا عليه.

٣ **إذا لزم الأمر، افصل حامل الكاميرا عن الكاميرا واضبط الشكل وفقًا
للسطح الذي سيتم التركيب عليه.**

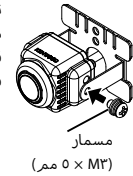
اضبط شكل حامل الكاميرا بحيث
يتلاءم مع موضع تركيب الكاميرا.



حامل الكاميرا

٤ **رُكِّب الكاميرا في حامل الكاميرا.**

تُثبت الكاميرا في حامل الكاميرا باستخدام
مسمار التثبيت. (موضعان بكل جانب)
قم بالتركيب بحيث يظهر شعار "KENWOOD"
في الأعلى.



مسمار

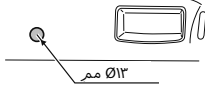
(١٣ × ٥ مم)

استخدام حلقة التثبيت

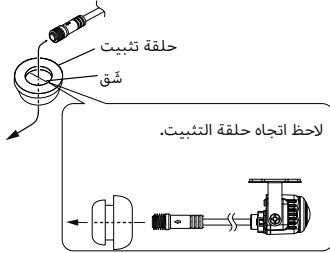
⚠ تنبيه

- عند حفر ثقب في جسم السيارة لتثبيت الكاميرا، تحقق من مواضع خطوط السوائل والخزانات والأسلاك الكهربائية وما إلى ذلك للتأكد من عدم التداخل معها أو ملامستها. عدم القيام بذلك قد يؤدي إلى نشوب حريق أو حدوث صدمة كهربائية أو عطل.
- إذا كانت أعمال الحفر مطلوبة، فاحرص على ارتداء نظارة واقية لمنع دخول الرقائق والشظايا إلى عينيك. وإلا، فهناك خطر وقوع إصابات.

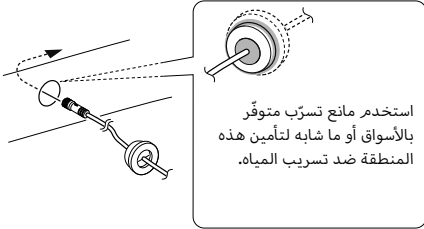
١ احفر ثقبًا للأسلاك يبلغ نصف قطر ١٣ مم.



٢ اصنع شقًا في حلقة التثبيت المرفقة ومرّر موصل الكابل على جانب الكاميرا من خلاله.



٣ قم بتأمين منطقة حلقة التثبيت ضد تسريب المياه من الجانب الداخلي للباب الخلفي باستخدام مانع تسرب متوفر بالأسواق أو ما شابه.



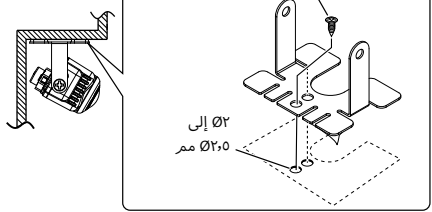
١٠ ثبت الكاميرا جيدًا في موضعها.

انزع البطانة الورقية من الشريط اللاصق مزدوج الجانب وأصقه بحامل الكاميرا. بعد لصق الشريط اللاصق، اضغط على حامل الكاميرا بإصبعك لضمان عملية التصاق وثيق.

تجئب لمس المادة اللاصقة بيدك أو نزع الشريط اللاصق ولصقه مرة أخرى، لأن ذلك سيؤدي إلى انخفاض قوة اللصق وقد يتسبب في انفصال حامل الكاميرا. إذا لزم الأمر، قم بتأمين الحامل على جسم السيارة باستخدام مسامير تثبيت حامل الكاميرا.

إذ يحتوي حامل الكاميرا على فتحتين للمسامير، اختر واحدًا منهما بما يتناسب مع موضع التركيب.

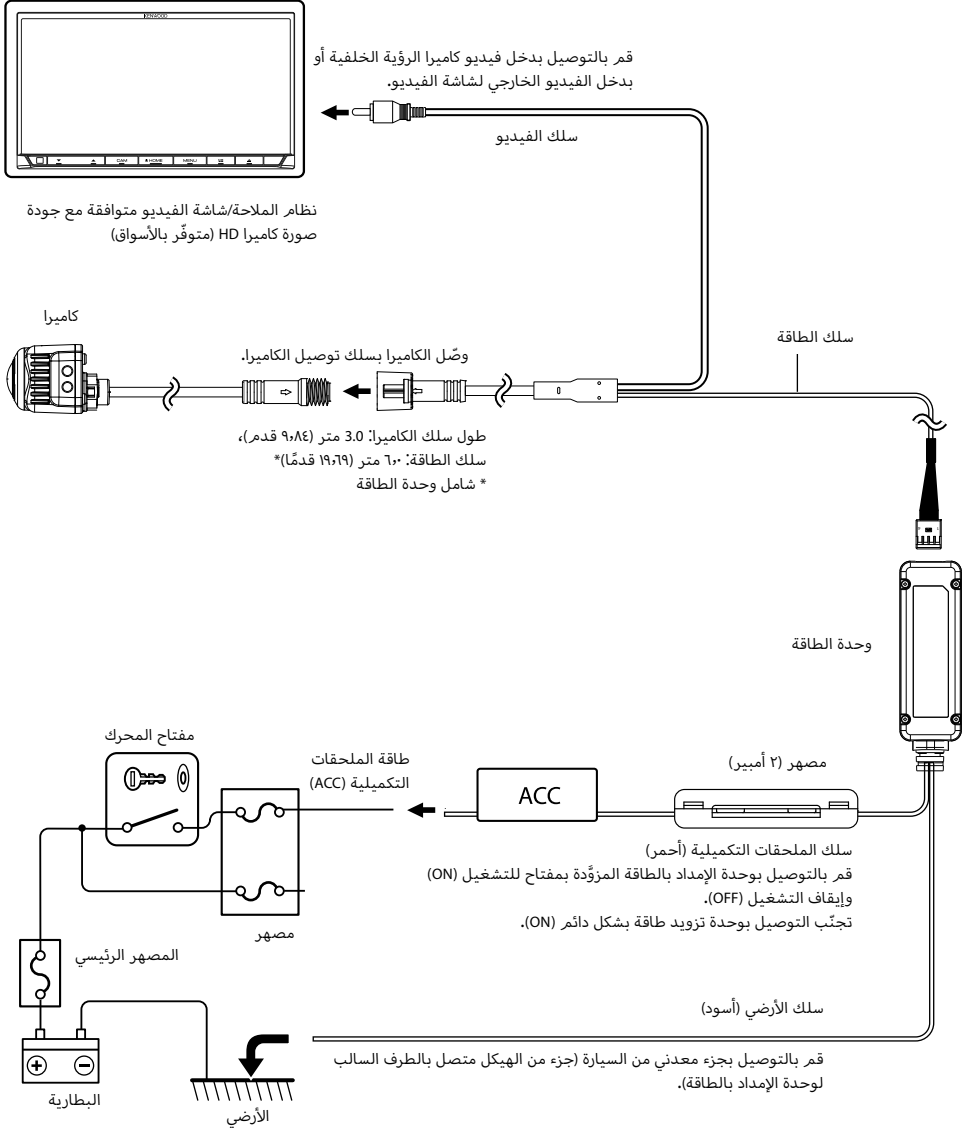
مسمار تثبيت حامل الكاميرا (٨ × ٨٣ مم)





- إذا لم يكن مفتاح محرك سيارتك على الوضع ACC، فقم بتقسيم السلك عندما يكون مفتاح المحرك على وضع التشغيل ON وتوصيله بسلك طاقة الملحقات التكميلية.
- قبل متابعة التوصيلات، تأكد من عدم إدخال مفتاح المحرك في قفل الإشعال وفصل القطب (-) للبطارية لمنع حدوث ماس كهربائي.
- لا تعتمد إلى ثني سلك الكاميرا البالغ قطره ٤٠ مم أو نصف قطره ٢٠ مم أو أقل.

التوصيلات الأساسية



العدسة

زاوية عريضة،
البُعد البؤري ١٠٨٦ مم،
قيمة F ٢.٠

زاويا الرؤية

: أفقية: ٩٨°
: عمودية: ٩٠°

مقاومة الماء والغبار: IP٦٧

مستشعر الصورة: مستشعر CMOS ملون ٣.٠/٨١ بوصة

عدد البكسل

: ١٠٣ ميجا بكسل

شدة إضاءة العناصر

: ١٠ لُكس إلى ١٠٠ كيلو لُكس

الدقة: ٧٢٠ × ١٢٨٠

مُعَدَّل الإطّار: ٣٠ إطّارًا في الثانية

الخروج I/F: HD-TVI

خرج الفيديو

: صورة معكوسة بزاوية عريضة (للرؤية الخلفية)

درجة حرارة التشغيل

: من ٣٠-م إلى ٨٥+م°

الأبعاد (العرض × الارتفاع × العمق)

: ٣١.١ × ٢٣.٠ × ٢٥.٢ مم

٤/١- × ٨/٧ × ١ بوصة

الوزن

: ٣٣.٢ جم (١.٢ أونصة)

(بدون كابل)

وحدة الطاقة

الجهد الكهربائي للتشغيل: ٢٤/١٢ فولت تيار مستمر

الأبعاد (العرض × الارتفاع × العمق)

: ٦٩.٢ × ٢٣.٦ × ١٥.٥ مم

٤/٣-٢ × ١٦/١٥ × ٨/٥ بوصة

(غير شامل الأجزاء البارزة)

- صورة المرأة تعني أن صورة الفيديو تقلب اليسار واليمين تمامًا كالصورة التي تظهر على مرآة الرؤية الخلفية أو المرآة الجانبية.
- المواصفات عُرضة للتغيير دون إشعار.